



# HOVER

## 900760FBN-LWD

HOVER 60" LED SMART FAN

DETAILS	
FAN FINISH:	Brushed Nickel
GLASS:	Etched Opal
BLADE COUNT:	3
SLOPE DEGREE:	23

DIMENSIONS	
WIDTH:	60"
HEIGHT:	17.3"

LIGHT SOURCE	
LED NAME:	EL16W2835
VOLTAGE:	120v
LUMENS:	1320
CRI:	90

MOUNTING	
CANOPY:	6" Dia.
LEAD WIRE:	1 X 76"

SHIPPING	
CARTON LENGTH:	31.5
CARTON WIDTH:	16
CARTON HEIGHT:	10

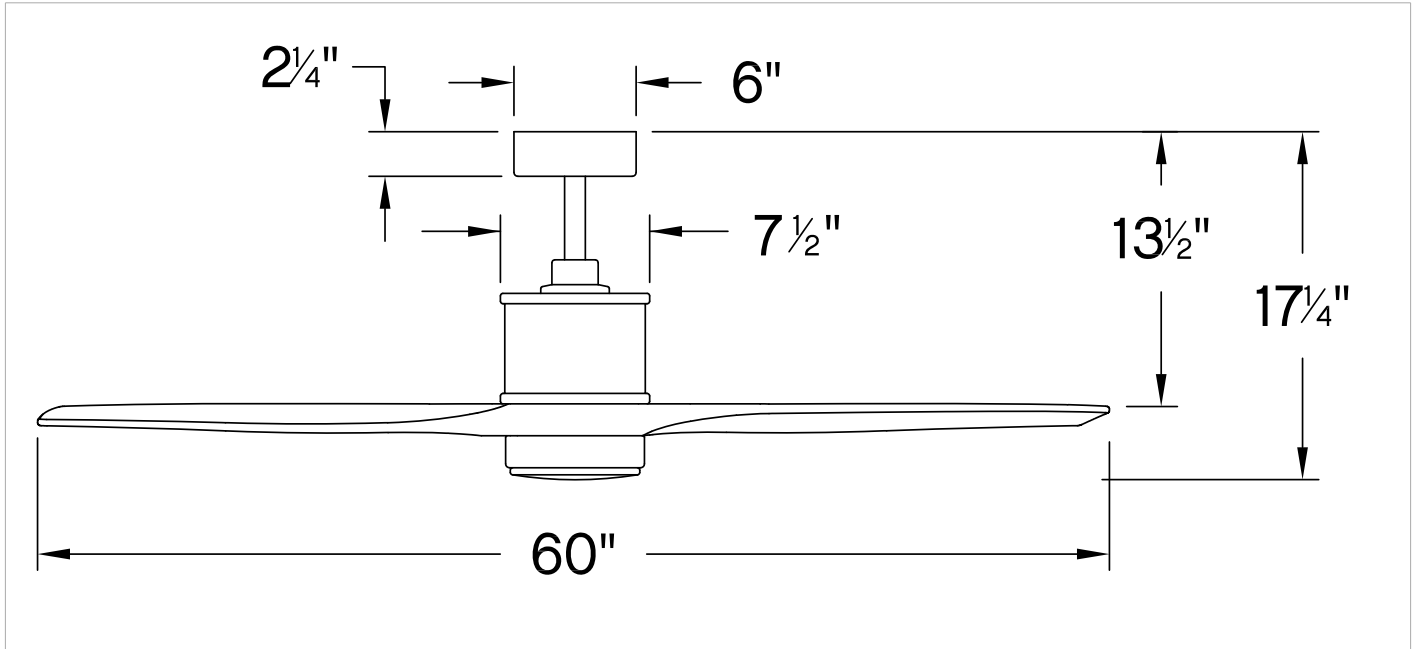
Clean and sleek, Hover is a stunning modern upgrade for any project. Available in Brushed Nickel, Graphite, Matte White or Matte Black, Hover comes equipped with integrated LED lighting and DC motor technology to deliver excellent energy efficiency. Hover is impressively designed to be used for both indoor and outdoor spaces.

### PRODUCT DETAILS:

- Fan Control included, HIRO Control - 6 Speed Reversing
- For more information on how to control your ceiling fan via the Hinkley Home Automation App, [click here](#).
- This item may be hung on a sloped ceiling
- Suitable for use in wet (outdoor direct rain) locations as defined by NEC and CEC. Meets United States UL Underwriters Laboratories & CSA Canadian Standards Association Product Safety Standards
- Bold silhouette with dramatic details creates a modern statement
- WiFi compatible with included fan control
- LED components carry a 5-year limited warranty
- This item includes a 6" down rod. Other various lengths of down rods are available and sold separately to customize the installation height.

# HOVER 60" LED SMART FAN

900760FBN-LWD



PERFORMANCE SPECIFICATIONS	STANDARD	
	HIGH SPEED	AVERAGE SPEED
Airflow	7118	4714
EnergyUse	28.5	18
EnergyCost	8	5
Efficiency	249	267
AMPS	0.37	0.21
RPMS	150	98

**AVERAGE PERFORMANCE AND ENERGY INFORMATION**

## ENERGYGUIDE

Estimated Yearly Energy Cost

### \$5

Cost Range of Similar Models (19" – 84")

\$3 | | | \$34

• Based on 12 cents per kWh and 6.4 hours use per day  
 • Your cost depends on rates and use  
 • Energy Use: 18 Watts

Airflow

### 4,714

Cubic Feet Per Minute

• The higher the airflow, the more air the fan will move  
 • Airflow Efficiency: 267 Cubic Feet Per Minute Per Watt

All estimates based on typical use, excluding lights [ftc.gov/energy](http://ftc.gov/energy)

Airflow Shown is a Weighted Average of High and Low Cubic Feet per Minute Based on Downrod

# HINKLEY

HINKLEY  
 33000 Pin Oak Parkway  
 Avon Lake, OH 44012

PHONE: (440) 653-5500  
 Toll Free: 1 (800) 446-5539

[hinkley.com](http://hinkley.com)