

REPUBLIC

1001TW

MEDIUM POST MOUNT LANTERN

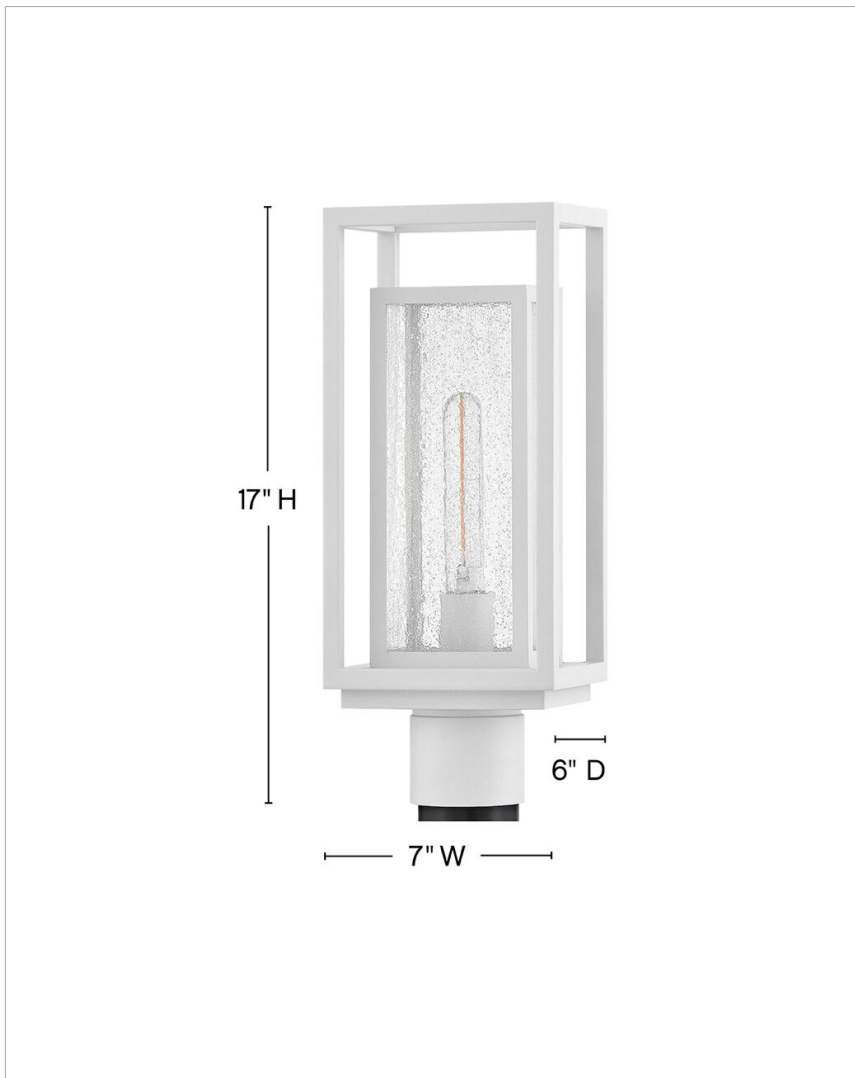
Republic's striking double frame design, constructed from a composite material and treated with an anti-fading agent for maximum durability, is at home on the coast or a country lodge. The Oil-Rubbed Bronze, Satin Nickel, Textured White, and Black resilience finishes feature a 5-year warranty and are resistant to rust and corrosion.

DETAILS	
FINISH:	Textured White
MATERIAL:	Composite
GLASS:	Clear Seedy
DIMMABLE:	YES - WITH DIMMABLE LAMP (NOT INCLUDED)

DIMENSIONS	
WIDTH:	7"
HEIGHT:	17"
DEPTH:	6
WEIGHT:	2lb

LIGHT SOURCE	
LIGHT SOURCE:	Socketed
WATTAGE:	1-8w Med. LED, 60w Equiv.
VOLTAGE:	120v

SHIPPING	
CARTON LENGTH:	20
CARTON WIDTH:	9
CARTON HEIGHT:	12.5
CARTON WEIGHT:	6.5



PRODUCT DETAILS:

- 5-year finish warranty
- Our Estate Collections boast a breadth of fixtures defined by coordinating composition, enduring architecture, and time-honored craftsmanship, designed to meet the needs of expansive properties with extended outdoor living spaces. From the entrance of your driveway to the depths of your backyard, these collections provide cohesive design for stately exteriors.
- Suitable for use in wet (outdoor direct rain) locations as defined by NEC and CEC. Meets United States UL Underwriters Laboratories & CSA Canadian Standards Association Product Safety Standards
- The Coastal Elements Collection offers versatile designs, constructed of composite materials and coated with anti-fading finishes, for maximum durability in harsh climates
- Ideal for vintage filament bulbs (not included)
- Sophisticated and streamlined design, durable construction and a timeless finish complement any architectural style

HINKLEY

HINKLEY
33000 Pin Oak Parkway
Avon Lake, OH 44012

PHONE: (440) 653-5500
Toll Free: 1 (800) 446-5539

hinkley.com