

SHELTER

1326BK

EXTRA SMALL WALL MOUNT LANTERN

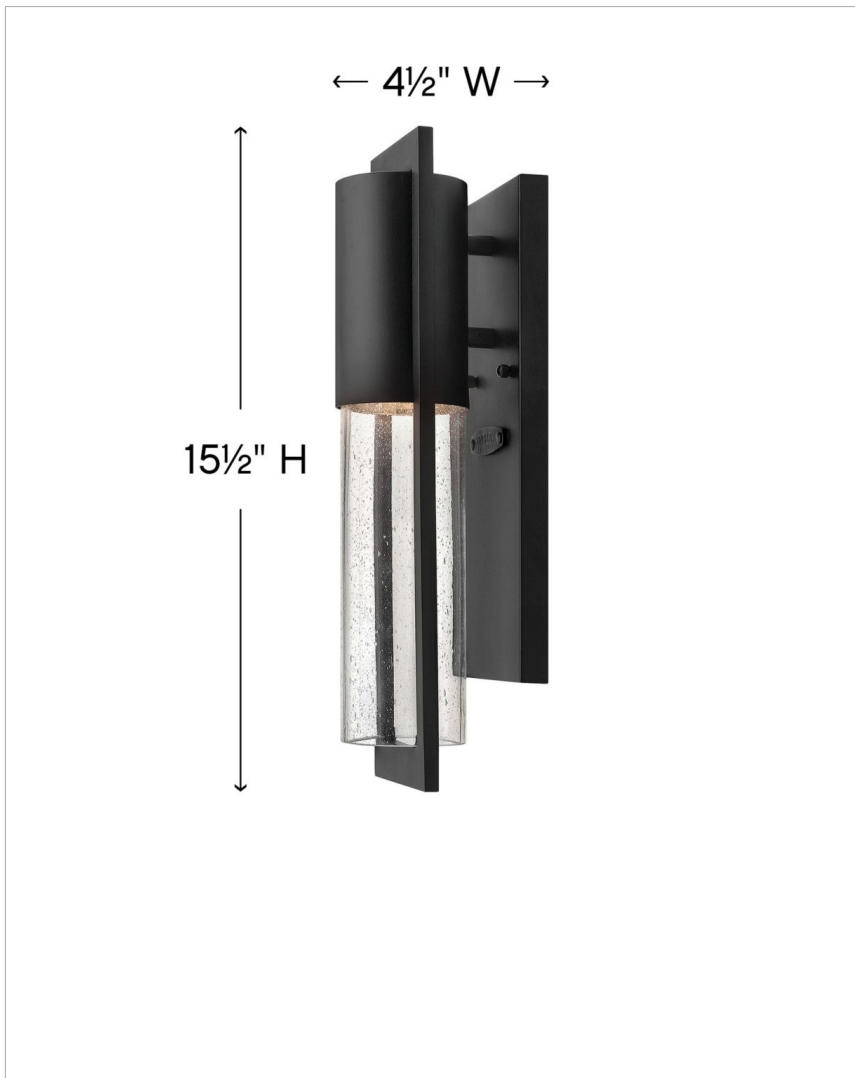
Shelter's minimalist style in aluminum creates a chic, dramatic statement as the light from above grazes through its clear seedy glass. Shelter comes standard Dark Sky compliant.

DETAILS	
FINISH:	Black
MATERIAL:	Solid Aluminum
GLASS:	Clear Seedy

DIMENSIONS	
WIDTH:	4.5"
HEIGHT:	15.5"
WEIGHT:	3 lbs.
BACK PLATE:	4.5"W X 12"H
EXTENSION:	4.8"
TOP TO OUTLET:	5.8"

LIGHT SOURCE	
LIGHT SOURCE:	Socket
WATTAGE:	1-50w GU10 *Included
VOLTAGE:	120v

SHIPPING	
CARTON LENGTH:	18.5"
CARTON WIDTH:	9.9"
CARTON HEIGHT:	7.3"
CARTON WEIGHT:	4 lbs.



PRODUCT DETAILS:

- Suitable for use in wet (interior direct splash and outdoor direct rain or sprinkler) locations as defined by NEC and CEC. Meets United States UL Underwriters Laboratories & CSA Canadian Standards Association Product Safety Standards
- Fixture is Dark Sky compliant and engineered to minimize light glare upward into the night sky.
- 2 year finish warranty
- Bold lines and a clean, minimalist style complement contemporary architecture
- Striking black finish enhances design

HINKLEY

HINKLEY
33000 Pin Oak Parkway
Avon Lake, OH 44012

PHONE: (440) 653-5500
Toll Free: 1 (800) 446-5539

hinkley.com