

SHELTER

1320KZ

SMALL WALL MOUNT LANTERN

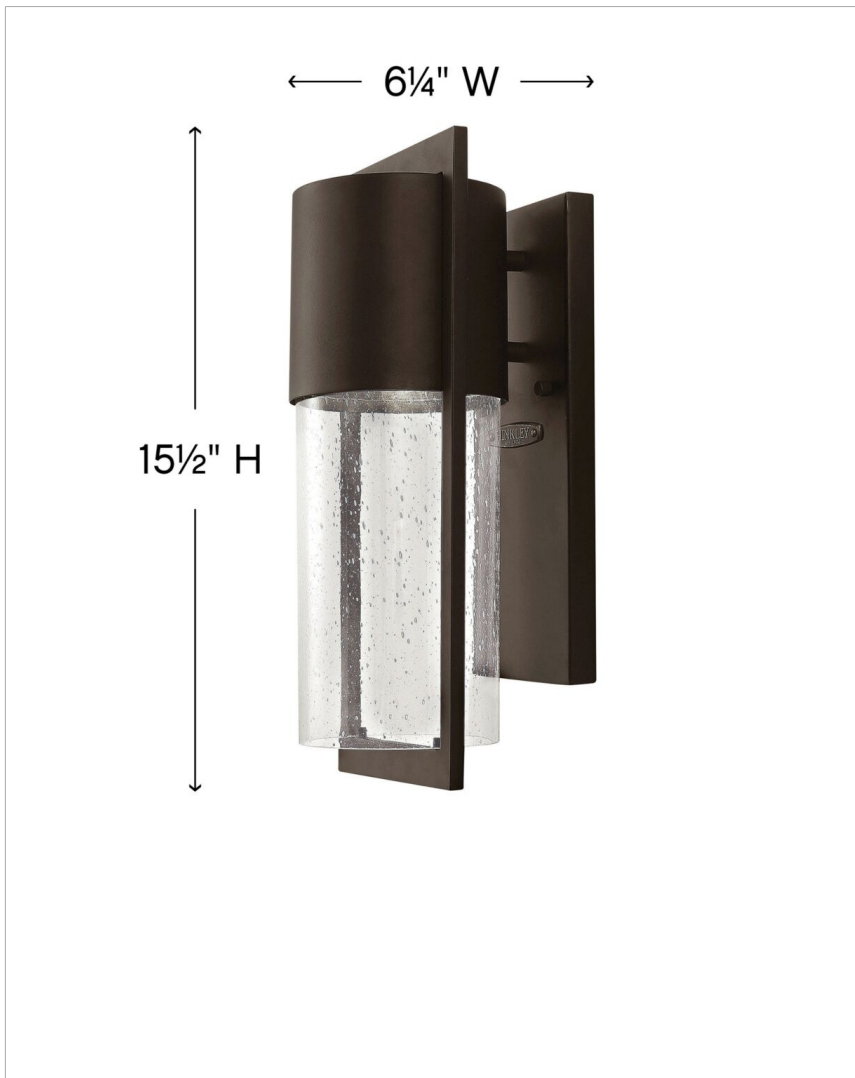
Shelter's minimalist style in aluminum creates a chic, dramatic statement as the light from above grazes through its clear seedy glass. Shelter comes standard Dark Sky compliant.

DETAILS	
FINISH:	Buckeye Bronze
MATERIAL:	Aluminum
GLASS:	Clear Seedy
DIMMABLE:	YES - CL TYPE DIMMER (SSL7A)

DIMENSIONS	
WIDTH:	6.3"
HEIGHT:	15.5"
WEIGHT:	6lb
BACK PLATE:	4.5"W X 12"H
EXTENSION:	6.5"
TOP TO OUTLET:	4.7500"

LIGHT SOURCE	
LIGHT SOURCE:	Socketed
LED NAME:	6.5WR20-30K
WATTAGE:	1-6.50w Med. LED *Included, 50w Equiv.
VOLTAGE:	120v
COLOR TEMP:	3000
CRI:	90
INCANDESCENT EQUIVALENCY:	1 x 50w
DIMMABLE:	YES - CL TYPE DIMMER (SSL7A)

SHIPPING	
CARTON LENGTH:	18.3
CARTON WIDTH:	12.8
CARTON HEIGHT:	9
CARTON WEIGHT:	7



PRODUCT DETAILS:

- Suitable for use in wet (outdoor direct rain) locations as defined by NEC and CEC. Meets United States UL Underwriters Laboratories & CSA Canadian Standards Association Product Safety Standards
- 2-year finish warranty
- Reflector type or Par type bulb recommended
- Bold lines and a clean, minimalist style complement contemporary architecture
- Fixture is Dark Sky compliant and engineered to minimize light glare upward into the night sky

HINKLEY

HINKLEY
33000 Pin Oak Parkway
Avon Lake, OH 44012

PHONE: (440) 653-5500
Toll Free: 1 (800) 446-5539

hinkley.com