

SATURN

1904SS

MEDIUM WALL MOUNT LANTERN

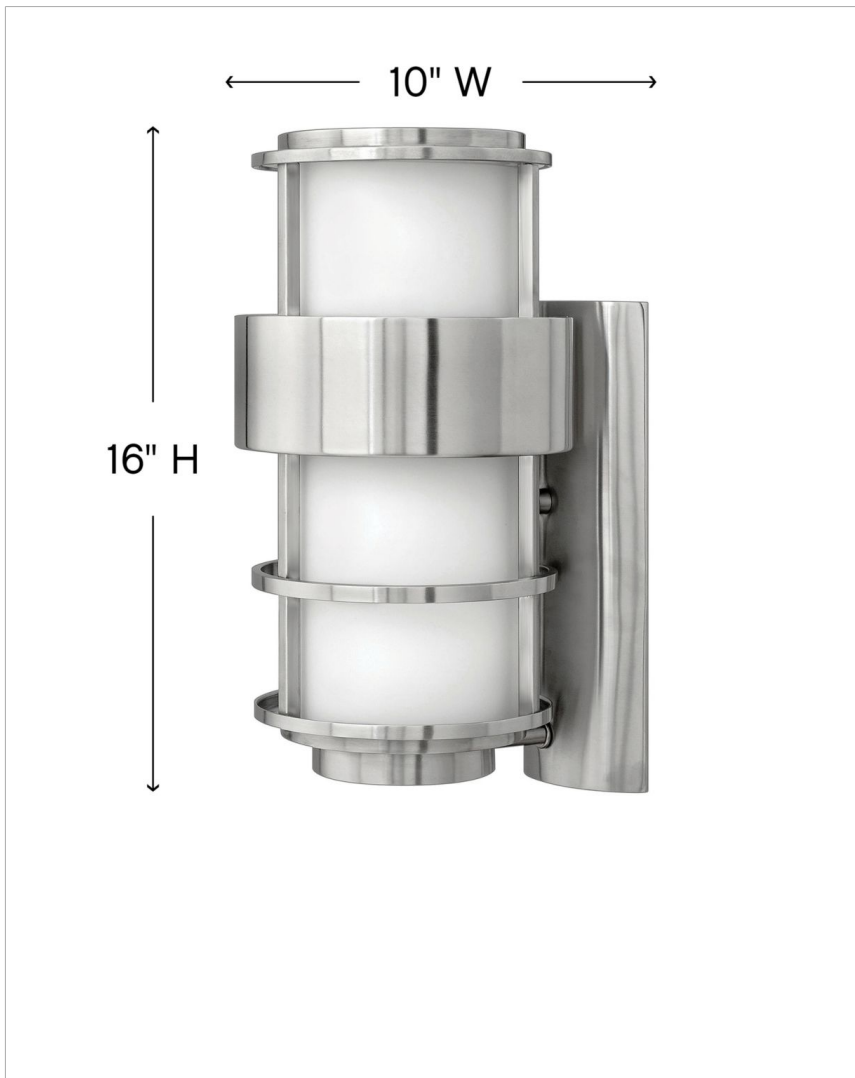
Saturn is a stunning, modern design offering robust construction and intersecting lines that create a striking contrast against the clear seeded glass.

DETAILS	
FINISH:	Stainless Steel
MATERIAL:	Stainless Steel
GLASS:	Etched Opal
DIMMABLE:	YES, WITH DIMMABLE LAMP (NOT INCLUDED)

DIMENSIONS	
WIDTH:	8"
HEIGHT:	16"
WEIGHT:	6lb
BACK PLATE:	4.75"W X 14"H
EXTENSION:	9.5"
TOP TO OUTLET:	9"

LIGHT SOURCE	
LIGHT SOURCE:	Socketed
WATTAGE:	1-12w Med. LED, 75w Equiv.
VOLTAGE:	120v

SHIPPING	
CARTON LENGTH:	12.5
CARTON WIDTH:	11
CARTON HEIGHT:	19.5
CARTON WEIGHT:	8



PRODUCT DETAILS:

- Suitable for use in wet (outdoor direct rain) locations as defined by NEC and CEC. Meets United States UL Underwriters Laboratories & CSA Canadian Standards Association Product Safety Standards
- 2-year finish warranty
- Bold lines and a clean, minimalist style complement contemporary architecture
- Stainless steel provides superior strength and performance