



# HOVER

**900752FWK-LWD**

HOVER 52" LED SMART FAN

DETAILS	
FAN FINISH:	Matte White
GLASS:	Etched Opal
BLADE COUNT:	3
SLOPE DEGREE:	23

DIMENSIONS	
WIDTH:	52"
HEIGHT:	17.3"

LIGHT SOURCE	
VOLTAGE:	120v

MOUNTING	
CANOPY:	6" Dia.
LEAD WIRE:	1 X 76"

SHIPPING	
CARTON LENGTH:	9.5
CARTON WIDTH:	10.5
CARTON HEIGHT:	19

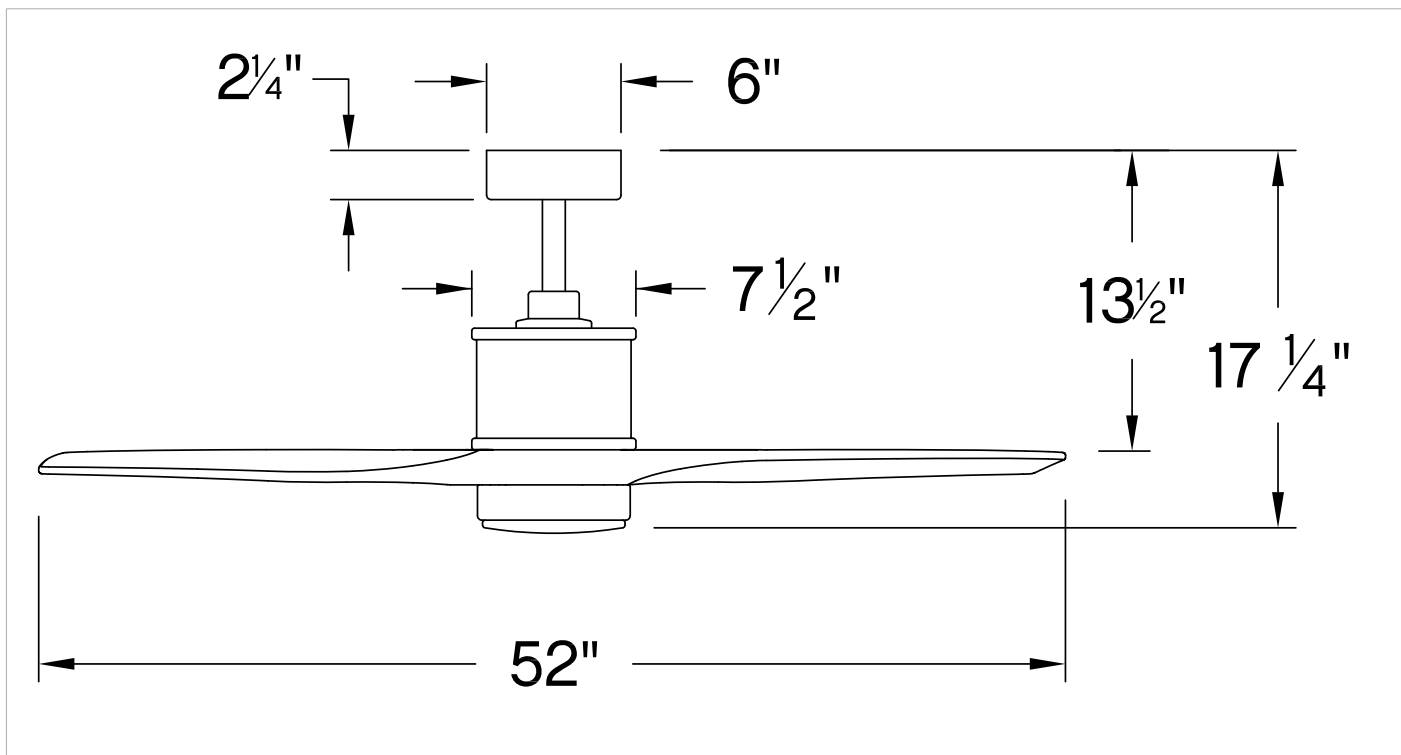
Clean and sleek, Hover is a stunning modern upgrade for any project. Available in Brushed Nickel, Graphite, Matte White or Matte Black, Hover comes equipped with integrated LED lighting and DC motor technology to deliver excellent energy efficiency. Hover is impressively designed to be used for both indoor and outdoor spaces.

## PRODUCT DETAILS:

- This item includes a 6" down rod. Other various lengths of down rods are available and sold separately to customize the installation height.
- Suitable for use in wet (interior direct splash and outdoor direct rain or sprinkler) locations as defined by NEC and CEC. Meets United States UL Underwriters Laboratories.
- This item may be hung on a sloped ceiling
- For more information on how to control your ceiling fan via the Hinkley Home Automation App, [click here](#).
- Fan Control included, HIRO Control - 6 Speed Reversing
- WiFi compatible with included fan control
- LED components carry a 5-year limited warranty
- Motor carries a lifetime warranty

# HOVER 52" LED SMART FAN

900752FWK-LWD



PERFORMANCE SPECIFICATIONS	STANDARD	
	HIGH SPEED	AVERAGE SPEED
Airflow	5753	3713
EnergyUse	18.3	12
EnergyCost	5	3
Efficiency	314	311
AMPS	0.28	0.17
RPMS	169	108