



## SWELL

903880FGT-NDD

SWELL 80" FAN

DETAILS	
FAN FINISH:	Graphite
BLADE COUNT:	3
SLOPE DEGREE:	20

DIMENSIONS	
WIDTH:	80"
HEIGHT:	13.8"

LIGHT SOURCE	
VOLTAGE:	120v

MOUNTING	
CANOPY:	6" Dia.
LEAD WIRE:	1 x 76"

SHIPPING	
CARTON LENGTH:	42.9
CARTON WIDTH:	12.6
CARTON HEIGHT:	11.4

Swell is sophisticated and distinct in design without sacrificing on its purpose. Available in Matte Black with Walnut blades or Graphite with Driftwood blades, Swell sets the tone for all contemporary spaces. Swell is DAMP rated, making it perfect for both interior and outdoor settings.

### PRODUCT DETAILS:

- Fan Control included, HIRO Control - 6 Speed Reversing
- Suitable for use in damp locations as defined by NEC and CEC. Meets United States UL Underwriters Laboratories & CSA Canadian Standards Association Product Safety Standards.
- For more information on how to control your ceiling fan via the Hinkley Home Automation App, [click here](#).
- This item may be hung on a sloped ceiling
- Bold silhouette with dramatic details creates a modern statement
- WiFi compatible with included fan control
- This item includes a 6" down rod. Other various lengths of down rods are available and sold separately to customize the installation height.
- Powered by a highly efficient and quiet DC motor

# HINKLEY

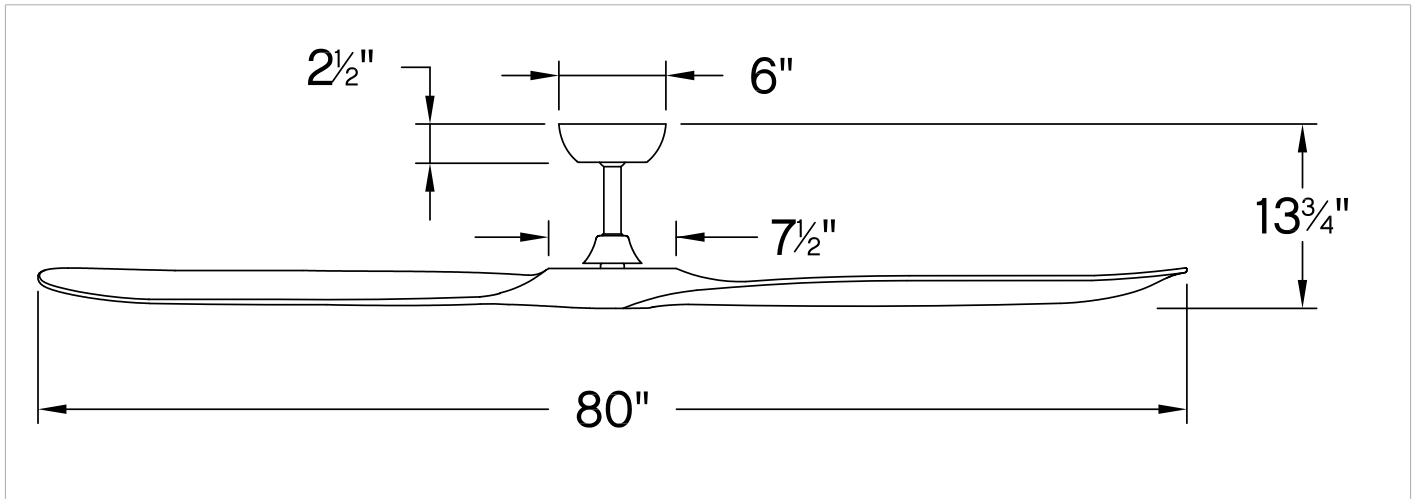
HINKLEY  
33000 Pin Oak Parkway  
Avon Lake, OH 44012

PHONE: (440) 653-5500  
Toll Free: 1 (800) 446-5539

[hinkley.com](http://hinkley.com)

# SWELL 80" FAN

903880FGT-NDD



PERFORMANCE SPECIFICATIONS	STANDARD	
	HIGH SPEED	AVERAGE SPEED
Airflow	10955	8554
EnergyUse	39.7	20
EnergyCost	11	6
Efficiency	276	433
AMPS	0.5	0.3
RPMS	102	74

**AVERAGE PERFORMANCE AND ENERGY INFORMATION**

## ENERGYGUIDE

**Estimated  
Yearly Energy Cost**

**\$ 6**

\$3 | | | \$34

Cost Range of Similar Models (19" - 84")

- Based on 12 cents per kWh and 6.4 hours use per day
- Your cost depends on rates and use
- Energy Use: 20 Watts

All estimates based on typical use, excluding lights

**Airflow**

**8,554**

Cubic Feet Per Minute

- The higher the airflow, the more air the fan will move
- Airflow Efficiency: 115 Cubic Feet Per Minute Per Watt

ftc.gov/energy

Airflow Shown is a Weighted Average of High and Low Cubic Feet per Minute Based on Downrod