

# SCULPT

903680FGT-LDD

SCULPT 80" LED FAN

DETAILS	
FAN FINISH:	Graphite
GLASS:	Etched Opal
BLADE COUNT:	3

DIMENSIONS	
WIDTH:	80"
HEIGHT:	15.3"
TOP TO OUTLET:	0"

LIGHT SOURCE	
VOLTAGE:	120v

MOUNTING	
CANOPY:	6" Dia.
LEAD WIRE:	1 x 76"



Sculpt defines modern elegance. Its Solid Wood blades are complemented by a clean etched opal glass, seamlessly adding the adequate amount of contemporary character. Sculpt features solid wood blades and is available in Matte Black with Walnut blades or Graphite with Driftwood blades. Sculpt is DAMP rated, making it perfect for both interior and outdoor settings.

## PRODUCT DETAILS:

- This item includes a 6" down rod. Various lengths are available to customize the installation height.
- Suitable for use in damp (interior moist and outdoor no direct rain or sprinkler) locations as defined by NEC and CEC. Meets United States UL Underwriters Laboratories & CSA Canadian Standards Association Product Safety Standards
- Meets California Energy Commission 2016 Title regulations/JA8
- This item may be hung on a sloped ceiling
- Fan Control included, Wall Control - 6 Speed Reversing
- LED components carry a 5-year limited warranty
- Motor carries a lifetime warranty
- Blades, controls, switches, capacitors and hardware carry a 1 year warranty

# HINKLEY

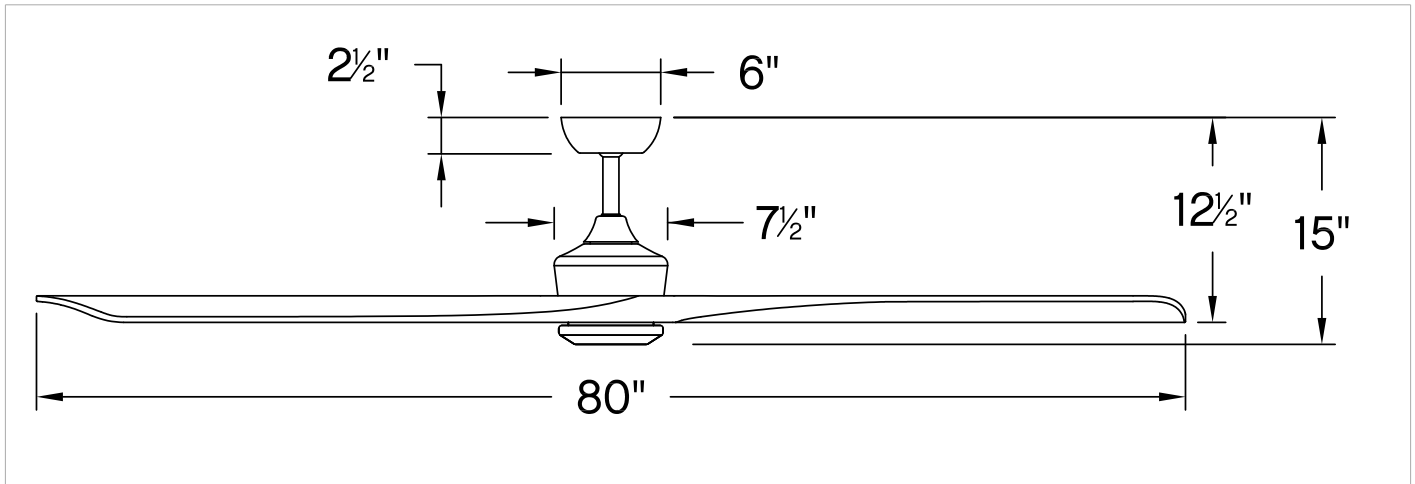
HINKLEY  
33000 Pin Oak Parkway  
Avon Lake, OH 44012

PHONE: (440) 653-5500  
Toll Free: 1 (800) 446-5539

[hinkley.com](http://hinkley.com)

# SCULPT 80" LED FAN

903680FGT-LDD



PERFORMANCE SPECIFICATIONS	STANDARD	
	HIGH SPEED	AVERAGE SPEED
Airflow	11023	8548
EnergyUse	33.1	19
EnergyCost	9	5
Efficiency	333	439
AMPS	0.47	0.28
RPMS	115	83

## AVERAGE PERFORMANCE AND ENERGY INFORMATION

# ENERGYGUIDE

Estimated  
Yearly Energy Cost

## \$ 5

Cost Range of Similar Models (19" - 84")

• Based on 12 cents per kWh and 6.4 hours use per day  
• Your cost depends on rates and use  
• Energy Use: 19 Watts

Airflow

## 8,548

Cubic Feet Per Minute

• The higher the airflow, the more air the fan will move  
• Airflow Efficiency: 115 Cubic Feet Per Minute Per Watt

All estimates based on typical use, excluding lights [ftc.gov/energy](http://ftc.gov/energy)

Airflow Shown is a Weighted Average of High and Low Cubic Feet per Minute Based on Downrod

# HINKLEY

HINKLEY  
33000 Pin Oak Parkway  
Avon Lake, OH 44012

PHONE: (440) 653-5500  
Toll Free: 1 (800) 446-5539

[hinkley.com](http://hinkley.com)