

# AFTON

903552FMM-LIA

AFTON 52" LED FAN

DETAILS	
FAN FINISH:	Metallic Matte Bronze
GLASS:	Etched Opal
BLADE COUNT:	5
SLOPE DEGREE:	20

DIMENSIONS	
WIDTH:	52"
HEIGHT:	14.8"

LIGHT SOURCE	
LED NAME:	EL16W2835
VOLTAGE:	120v
LUMENS:	1320
CRI:	90

MOUNTING	
CANOPY:	6" Dia.
LEAD WIRE:	1 x 76"

SHIPPING	
CARTON LENGTH:	22.8
CARTON WIDTH:	13
CARTON HEIGHT:	10.3



Clean and modern meets absolute practicality in Afton; making it the ultimate transitional ceiling fan. Afton is available in a robust lineup of finishes; including Chalk White with Chalk White blades; Satin Steel with Matte Black or Silver blades; Matte Black with Matte Black or Silver blades; Metallic Matte Bronze with Metallic Matte Bronze or Walnut blades. Afton is part of the Regency Collection.

## PRODUCT DETAILS:

- Can be hung on a sloped ceiling
- This item includes a 4.5" down rod (other lengths of down rods are available)
- Dry Rated
- Control your fan's power, light, speed, direction, and so much more from the Hinkley Home Automation app
- Reversible blades included; two finishes allow for easily customizable style
- Part of the Regency Series of traditional ceiling fans designed to enhance a wide variety of spaces with versatile designs and classic finishes
- LED components carry a 5-year limited warranty
- Motor carries a lifetime warranty

# HINKLEY

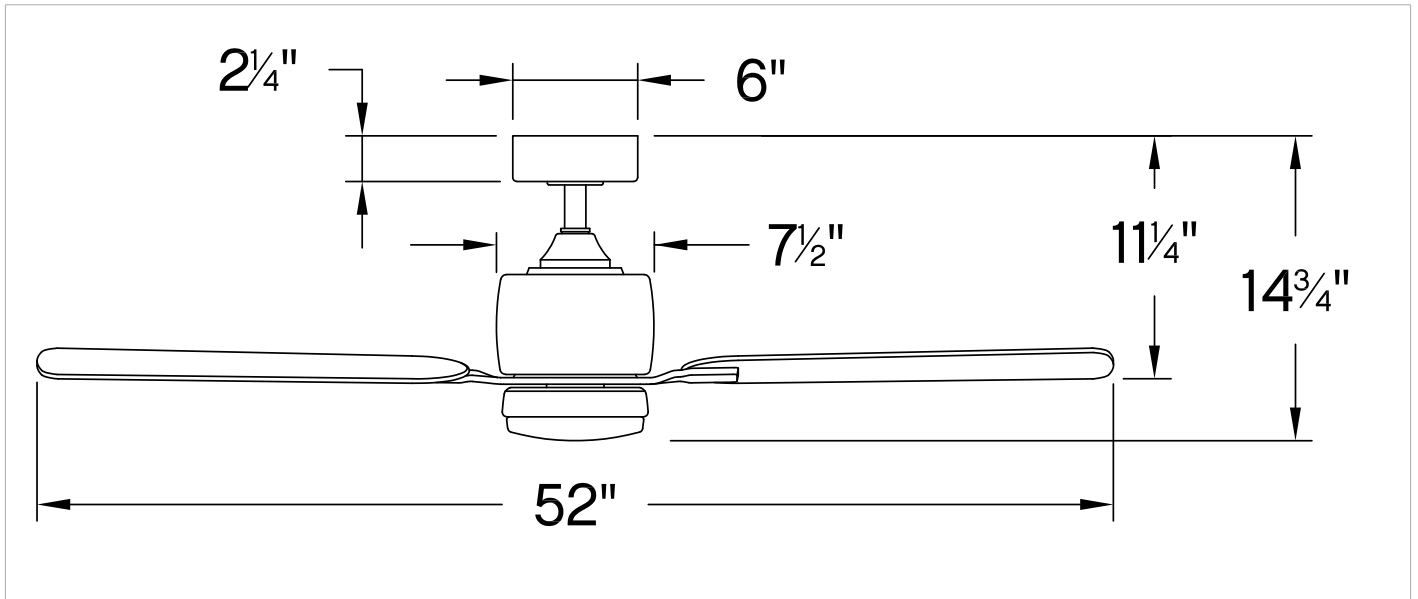
HINKLEY  
33000 Pin Oak Parkway  
Avon Lake, OH 44012

PHONE: (440) 653-5500  
Toll Free: 1 (800) 446-5539

[hinkley.com](http://hinkley.com)

# AFTON 52" LED FAN

903552FMM-LIA



PERFORMANCE SPECIFICATIONS	STANDARD	
	HIGH SPEED	AVERAGE SPEED
Airflow	4614	3162
EnergyUse	55	34
EnergyCost	15	9
Efficiency	84	94
AMPS	0.47	0.33
RPMS	146	101