

METRO WET

903352FCW-NWA

METRO WET 52" FAN



DETAILS	
FAN FINISH:	Chalk White
BLADE COUNT:	5
SLOPE DEGREE:	20

DIMENSIONS	
WIDTH:	52"
HEIGHT:	9.8"

LIGHT SOURCE	
VOLTAGE:	120v

MOUNTING	
CANOPY:	6" Dia.
LEAD WIRE:	1 X 76"

SHIPPING	
CARTON LENGTH:	23.2
CARTON WIDTH:	13.4
CARTON HEIGHT:	10.3

The Metro Wet ceiling fan evokes a sense of timeless tradition to indoor and outdoor settings. Composed of Composite blades, Metro is available in Brushed Nickel with Silver blades, Chalk White with Chalk White blades, Matte Black with Matte Black blades, and Metallic Matte Bronze with Walnut blades. Wet-rated, Metro Wet is versatile enough to be used for both indoor and outdoor spaces and is part of the Regency Collection.

PRODUCT DETAILS:

- Classic, elegant lines and timeless details enhance a traditional space
- This item includes a 4.5" down rod. Other various lengths of down rods are available and sold separately to customize the installation height.
- Add an optional light kit to customize the functionality of the fan
- Pull chain manual reverse, accessory controls available
- For more information on how to control your ceiling fan via the Hinkley Home Automation App, [click here](#).
- This item may be hung on a sloped ceiling
- Suitable for use in wet (outdoor direct rain) locations as defined by NEC and CEC. Meets United States UL Underwriters Laboratories & CSA Canadian Standards Association Product Safety Standards
- Accessory controls available that are compatible with your WiFi for the ultimate Smart Home connectivity

HINKLEY

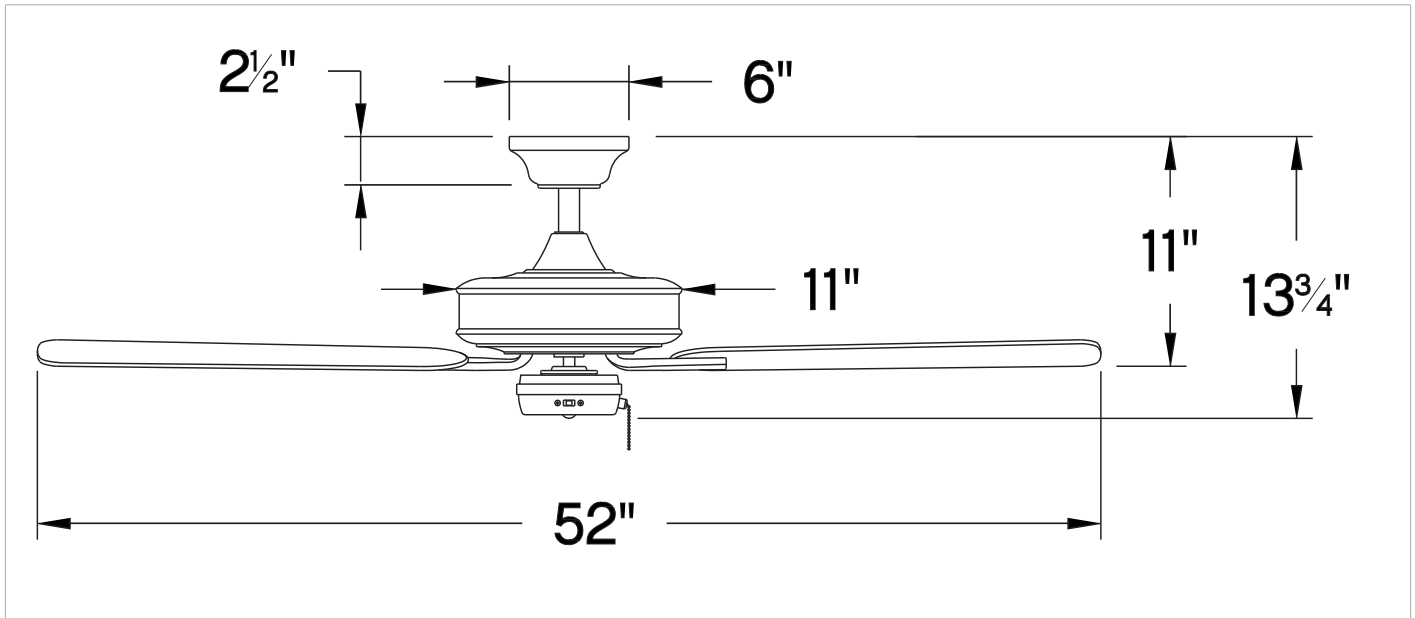
HINKLEY
33000 Pin Oak Parkway
Avon Lake, OH 44012

PHONE: (440) 653-5500
Toll Free: 1 (800) 446-5539

hinkley.com

METRO WET 52" FAN

903352FCW-NWA



PERFORMANCE SPECIFICATIONS	STANDARD		DUAL MOUNT	
	HIGH SPEED	AVERAGE SPEED	HIGH SPEED	AVERAGE SPEED
Airflow	4672	3189	4167	2884
EnergyUse	57.7	35	57.6	35
EnergyCost	16	10	16	10
Efficiency	81	90	72.3	82
AMPS	0.49	0.35	0.49	0.35
RPMS	154	105	152	34

AVERAGE PERFORMANCE AND ENERGY INFORMATION

ENERGYGUIDE

Estimated
Yearly Energy Cost

\$10

Cost Range of Similar Models (19" – 84")

\$3
▼
 \$34

• Based on 12 cents per kWh and 6.4 hours use per day
 • Your cost depends on rates and use
 • Energy Use: 35 Watts

Airflow

3,189

Cubic Feet Per Minute

• The higher the airflow, the more air the fan will move
 • Airflow Efficiency: 91 Cubic Feet Per Minute Per Watt

All estimates based on typical use, excluding lights ftc.gov/energy

Airflow Shown is a Weighted Average of High and Low Cubic Feet per Minute Based on Downrod