

# COLLIER

903254FHB-LID

COLLIER 54" LED FAN

DETAILS	
FAN FINISH:	Heritage Brass
GLASS:	Etched Opal
BLADE COUNT:	4
SLOPE DEGREE:	20

DIMENSIONS	
WIDTH:	54"
HEIGHT:	15.5"

LIGHT SOURCE	
VOLTAGE:	120v

MOUNTING	
CANOPY:	6" Dia.
LEAD WIRE:	1 x 76"



Collier's mid-century silhouette incorporates the best in retro simplicity. Cast knobs, hinges and stems convey sleek elegance for a look that is at once modern and timeless. Available in Heritage Brass with Birch or Walnut blades, Matte Black with Walnut or Matte Black blades, Metallic Matte Bronze with Walnut or Metallic Matte Bronze blades, and Pewter with Matte Black or Birch blades, Collier features composite blades.

## PRODUCT DETAILS:

- This item includes a 6" down rod. Other various lengths of down rods are available and sold separately to customize the installation height.
- Suitable for use in dry (indoor) locations as defined by NEC and CEC. Meets United States UL Underwriters Laboratories & CSA Canadian Standards Association Product Safety Standards
- Meets California Energy Commission 2013 & 2016 Title regulations/JA8
- This item may be hung on a sloped ceiling
- WiFi compatibility with included fan control
- Each customizable blade offers two finish options; simply reverse the blade to select your preferred finish.
- Fan Control included, HIRO Control - 6 Speed Reversing
- LED components carry a 5-year limited warranty

# HINKLEY

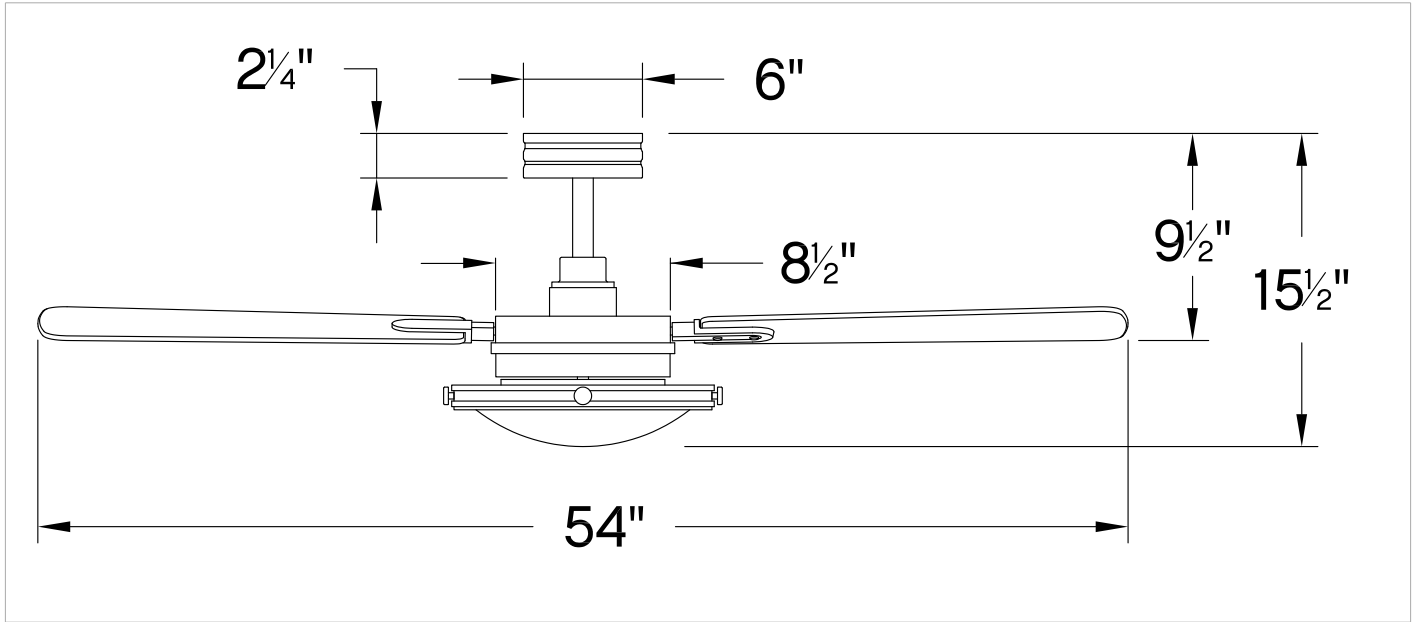
HINKLEY  
33000 Pin Oak Parkway  
Avon Lake, OH 44012

PHONE: (440) 653-5500  
Toll Free: 1 (800) 446-5539

[hinkley.com](http://hinkley.com)

# COLLIER 54" LED FAN

903254FHB-LID



PERFORMANCE SPECIFICATIONS	STANDARD	
	HIGH SPEED	AVERAGE SPEED
Airflow	5426	3617
EnergyUse	34.1	20
EnergyCost	10	6
Efficiency	159	177
AMPS	0.45	0.25
RPMS	148	97

## AVERAGE PERFORMANCE AND ENERGY INFORMATION

### ENERGYGUIDE

Estimated  
Yearly Energy Cost

## \$6

\$3 | | | \$34

Cost Range of Similar Models (19" – 84")

• Based on 12 cents per kWh and 6.4 hours use per day  
 • Your cost depends on rates and use  
 • Energy Use: 20 Watts

Airflow

## 3,617

Cubic Feet Per Minute

• The higher the airflow, the more air the fan will move  
 • Airflow Efficiency: 181 Cubic Feet Per Minute Per Watt

All estimates based on typical use, excluding lights ftc.gov/energy

Airflow Shown is a Weighted Average of High and Low Cubic Feet per Minute Based on Downrod

# HINKLEY

HINKLEY  
33000 Pin Oak Parkway  
Avon Lake, OH 44012

PHONE: (440) 653-5500  
Toll Free: 1 (800) 446-5539

hinkley.com