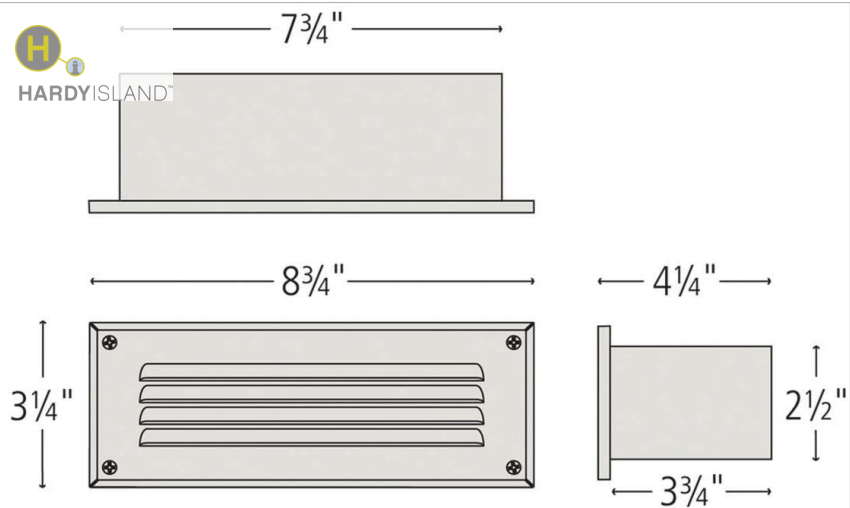




HARDYISLAND



HARDY ISLAND BRICK LIGHT

1594MZ-LL
12V LOUVERED LED BRICK LIGHT

DETAILS	
FINISH:	Matte Bronze
MATERIAL:	Cast Brass Faceplate
GLASS:	Clear
DIMMABLE:	YES - WITH MLV ON TRANSFORMER PRIMARY

DIMENSIONS	
WIDTH:	8.8"
HEIGHT:	3.3"
DEPTH:	3.8
WEIGHT:	2lb

LIGHT SOURCE	
LIGHT SOURCE:	Socketed
LED NAME:	EA-LMW-1.5W
WATTAGE:	1-1.50w Mini Wedge LED *Included
VOLTAGE:	12v
VOLT AMPS:	2.5
LUMENS:	150
CRI:	80
INCANDESCENT EQUIVALENCY:	1 x 25w
DIMMABLE:	YES - WITH MLV ON TRANSFORMER PRIMARY
TRANSFORMER REQUIRED:	Yes

MOUNTING	
LEAD WIRE:	1 X 30"

SHIPPING	
CARTON LENGTH:	4
CARTON WIDTH:	9
CARTON HEIGHT:	4
CARTON WEIGHT:	3



PRODUCT DETAILS:

- Hardy Island Series products carry a lifetime limited warranty
- Suitable for use in wet (outdoor direct rain) locations as defined by NEC and CEC. Meets United States UL Underwriters Laboratories & CSA Canadian Standards Association Product Safety Standards
- LED Bulbs carry a 3-year limited warranty
- Classic lines and heritage details complement traditional architecture
- For more information on how to control your landscape lighting via the Hinkley Home Automation App, [click here](#).
- The Hardy Island Collection, named for the ruggedly beautiful island off the coast of British Columbia, defies the harshest environments in style with landscape lighting that features fully enclosed bulbs and a rich weathered brass finish that will mature naturally over time.