



TREY

902752FMM-LWD

TREY 52" LED FAN

DETAILS	
FAN FINISH:	Metallic Matte Bronze
GLASS:	Etched Opal
BLADE COUNT:	3

DIMENSIONS	
WIDTH:	52"
HEIGHT:	11.8"

LIGHT SOURCE	
VOLTAGE:	120v

MOUNTING	
CANOPY:	7.75" Dia.
LEAD WIRE:	1 X 8"

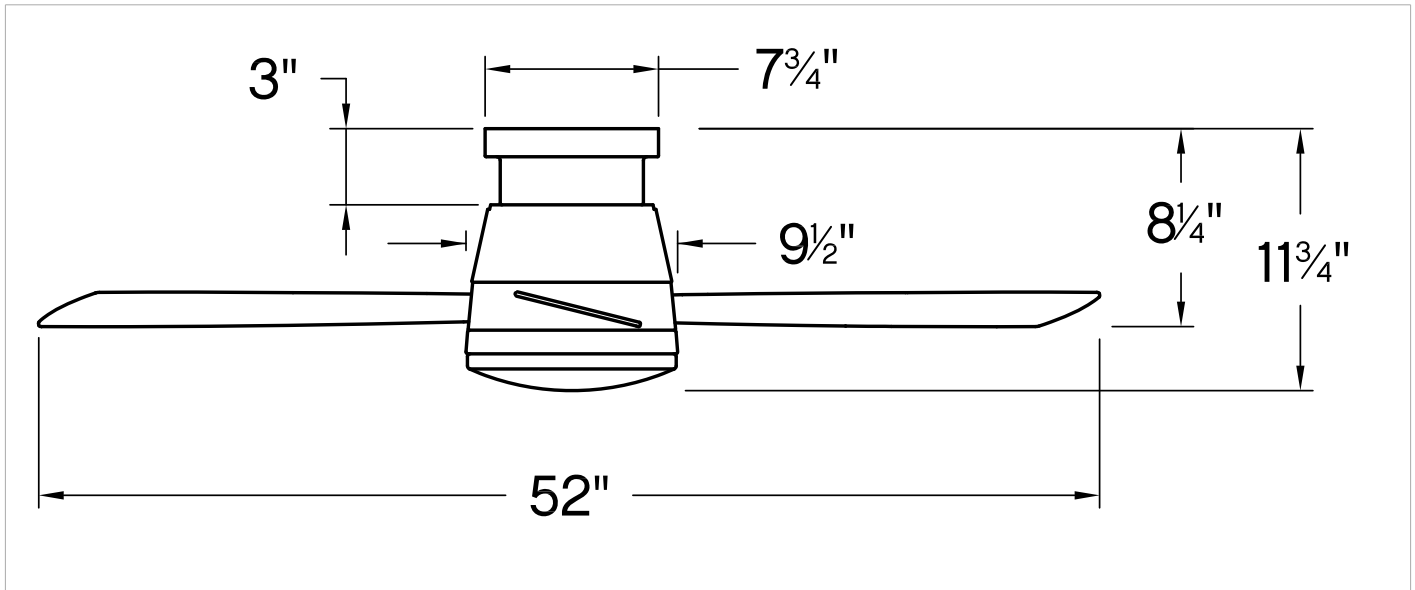
Trey features a sleek flush mount design that packs a powerful punch. Its transitional style comes equipped with robust blades that seamlessly pair performance and precision. Trey is offered in versatile Brushed Nickel, Metallic Matte Bronze and Matte White finish options, and its integrated LED lighting and DC motor technology deliver excellent energy efficiency. A timeless etched opal light kit completes the look for a refined appearance. Trey is so versatile; it can be used for both indoor and outdoor spaces. Blades are included with every fan.

PRODUCT DETAILS:

- Suitable for use in wet (interior direct splash and outdoor direct rain or sprinkler) locations as defined by NEC and CEC. Meets United States UL Underwriters Laboratories.
- Meets California Energy Commission 2016 Title regulations/JA8
- Fan Control included, Wall Control - 6 Speed Reversing
- LED components carry a 5-year limited warranty
- Motor carries a lifetime warranty
- Blades, controls, switches, capacitors and hardware carry a 1 year warranty
- Merging the best of traditional and modern elements, with a sophisticated and streamlined look
- Fans should be installed at a minimum of 7 feet from the floor

TREY 52" LED FAN

902752FMM-LWD



PERFORMANCE SPECIFICATIONS	STANDARD	
	HIGH SPEED	AVERAGE SPEED
Airflow	4827	3120
EnergyUse	24.2	15
EnergyCost	7	4
Efficiency	200	205
AMPS	0.33	0.19
RPMS	169	108

AVERAGE PERFORMANCE AND ENERGY INFORMATION

ENERGYGUIDE

Estimated Yearly Energy Cost

\$4

Cost Range of Similar Models (19" – 84")

\$3 | | | \$34

- Based on 12 cents per kWh and 6.4 hours use per day
- Your cost depends on rates and use
- Energy Use: 15 Watts

Airflow

3,120

Cubic Feet Per Minute

- The higher the airflow, the more air the fan will move
- Airflow Efficiency: 205 Cubic Feet Per Minute Per Watt

All estimates based on typical use, excluding lights ftc.gov/energy

Airflow Shown Is a Weighted Average of High and Low Cubic Feet per Minute Based on Close to Ceiling

HINKLEY

HINKLEY
33000 Pin Oak Parkway
Avon Lake, OH 44012

PHONE: (440) 653-5500
Toll Free: 1 (800) 446-5539

hinkley.com