



TIER

902054FAW-LWA

TIER 54" LED FAN

DETAILS	
FAN FINISH:	Appliance White
GLASS:	Etched Opal
BLADE COUNT:	5
SLOPE DEGREE:	25

DIMENSIONS	
WIDTH:	54"
HEIGHT:	14.8"

LIGHT SOURCE	
LED NAME:	E2G16W7PP
VOLTAGE:	120v
LUMENS:	1320
CRI:	90

MOUNTING	
CANOPY:	6" Dia.
LEAD WIRE:	1 X 76"

SHIPPING	
CARTON LENGTH:	25
CARTON WIDTH:	11
CARTON HEIGHT:	12

TIER

PRODUCT DETAILS:

- This item includes a 4.5" down rod. Other various lengths of down rods are available and sold separately to customize the installation height.
- For more information on how to control your ceiling fan via the Hinkley Home Automation App, [click here](#).
- This item may be hung on a sloped ceiling
- Suitable for use in wet (outdoor direct rain) locations as defined by NEC and CEC. Meets United States UL Underwriters Laboratories & CSA Canadian Standards Association Product Safety Standards
- Fan Control included, HIRO Control - 3 Speed Non-Reversing
- Accessory controls available that are compatible with your WiFi for the ultimate Smart Home connectivity
- LED components carry a 5-year limited warranty
- Merging the best of traditional and modern elements with a sophisticated and streamlined look

HINKLEY

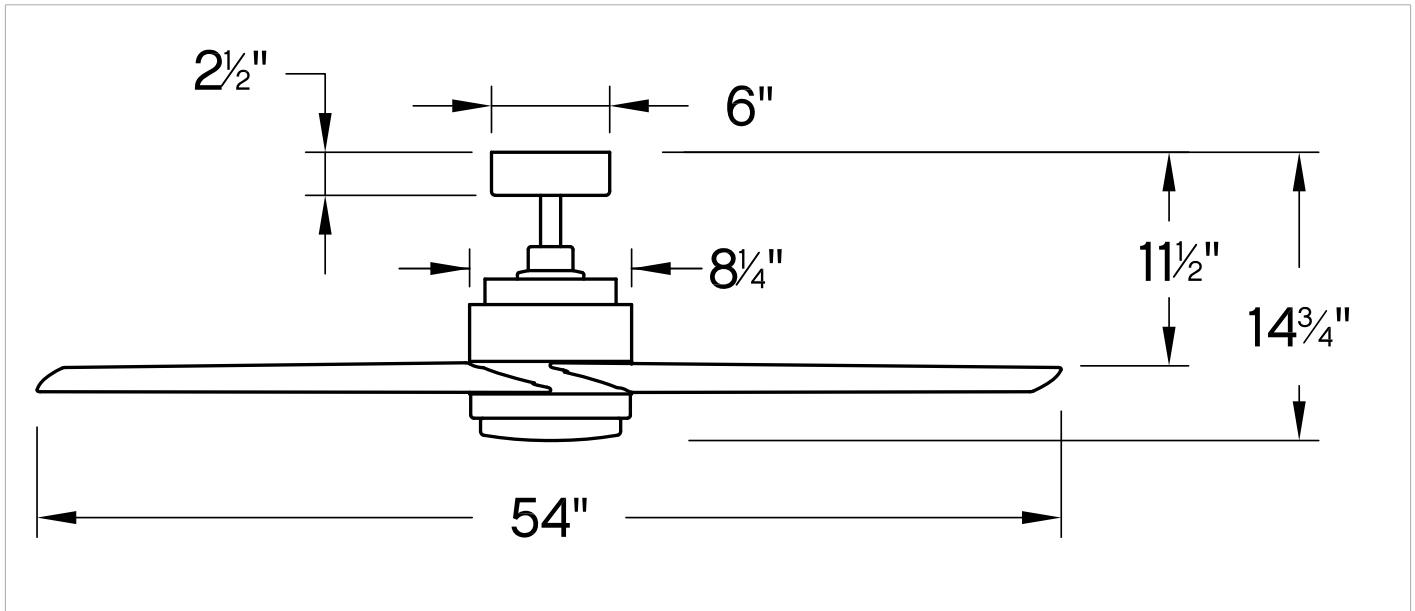
HINKLEY
33000 Pin Oak Parkway
Avon Lake, OH 44012

PHONE: (440) 653-5500
Toll Free: 1 (800) 446-5539

hinkley.com

TIER 54" LED FAN

902054FAW-LWA



PERFORMANCE SPECIFICATIONS	STANDARD	
	HIGH SPEED	AVERAGE SPEED
Airflow	5664	3749
EnergyUse	62.8	40
EnergyCost	18	11
Efficiency	90	94
AMPS	0.52	0.39
RPMS	155	103

AVERAGE PERFORMANCE AND ENERGY INFORMATION

ENERGYGUIDE

Estimated Yearly Energy Cost

\$11

Cost Range of Similar Models (19" – 84")

\$3 | | | \$34

- Based on 12 cents per kWh and 6.4 hours use per day
- Your cost depends on rates and use
- Energy Use: 40 Watts

Airflow

3,749

Cubic Feet Per Minute

- The higher the airflow, the more air the fan will move
- Airflow Efficiency: 94 Cubic Feet Per Minute Per Watt

All estimates based on typical use, excluding lights ftc.gov/energy

Airflow Shown is a Weighted Average of High and Low Cubic Feet per Minute Based on Downrod

HINKLEY

HINKLEY
33000 Pin Oak Parkway
Avon Lake, OH 44012

PHONE: (440) 653-5500
Toll Free: 1 (800) 446-5539

hinkley.com