



## MODULE

**901458FMB-LWD**

MODULE 58" LED FAN

DETAILS	
FAN FINISH:	Matte Black
GLASS:	Etched Opal
BLADE COUNT:	4

DIMENSIONS	
WIDTH:	58"
HEIGHT:	15"

LIGHT SOURCE	
VOLTAGE:	120v

MOUNTING	
CANOPY:	6" Dia.
LEAD WIRE:	1 X 76"

Simple, sleek and stunning, Module is the answer to any transitional space. Offered in Brushed Nickel, Graphite, Matte Black and Metallic Matte Bronze finish options, Module is the perfect solution for an easy and efficient upgrade. Equipped with integrated LED lighting and DC motor technology, Module delivers excellent energy efficiency. Module is so versatile; it can be used for both indoor and outdoor spaces. Blades are included with every fan.

### PRODUCT DETAILS:

- This item includes a 4.5" down rod. Various lengths are available to customize the installation height.
- Suitable for use in wet (interior direct splash and outdoor direct rain or sprinkler) locations as defined by NEC and CEC. Meets United States UL Underwriters Laboratories.
- Meets California Energy Commission 2016 Title regulations/JA8
- This item may be hung on a sloped ceiling
- Fan Control included, Wall Control - 6 Speed Reversing
- LED components carry a 5-year limited warranty
- Motor carries a lifetime warranty
- Blades, controls, switches, capacitors and hardware carry a 1 year warranty

# HINKLEY

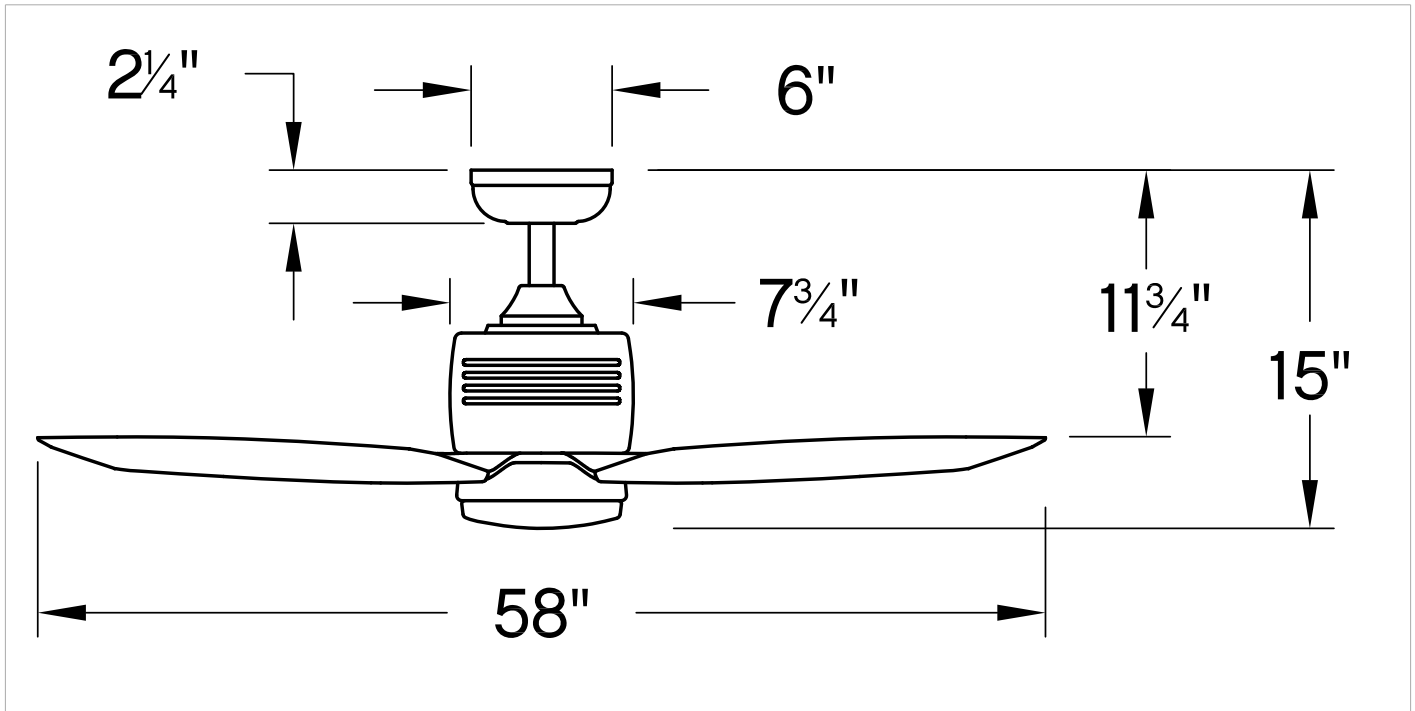
HINKLEY  
33000 Pin Oak Parkway  
Avon Lake, OH 44012

PHONE: (440) 653-5500  
Toll Free: 1 (800) 446-5539

[hinkley.com](http://hinkley.com)

# MODULE 58" LED FAN

901458FMB-LWD



PERFORMANCE SPECIFICATIONS	STANDARD	
	HIGH SPEED	AVERAGE SPEED
Airflow	5059	3597
EnergyUse	29.4	18
EnergyCost	8	5
Efficiency	172	197
AMPS	0.41	0.23
RPMS	144	97

**AVERAGE PERFORMANCE AND ENERGY INFORMATION**

## ENERGYGUIDE

Estimated Yearly Energy Cost

# \$5

Cost Range of Similar Models (19" - 84")

\$3 | | | \$34

• Based on 12 cents per kWh and 6.4 hours use per day  
 • Your cost depends on rates and use  
 • Energy Use: 18 Watts

Airflow

# 3,597

Cubic Feet Per Minute

• The higher the airflow, the more air the fan will move  
 • Airflow Efficiency: 197 Cubic Feet Per Minute Per Watt

All estimates based on typical use, excluding lights [ftc.gov/energy](http://ftc.gov/energy)

Airflow Shown is a Weighted Average of High and Low Cubic Feet per Minute Based on Downrod

# HINKLEY

HINKLEY  
 33000 Pin Oak Parkway  
 Avon Lake, OH 44012

PHONE: (440) 653-5500  
 Toll Free: 1 (800) 446-5539

[hinkley.com](http://hinkley.com)