



INDY

900972FMM-NWA

INDY 72" FAN

DETAILS	
FAN FINISH:	Metallic Matte Bronze
BLADE COUNT:	3
SLOPE DEGREE:	20

DIMENSIONS	
WIDTH:	72"
HEIGHT:	13.3"

LIGHT SOURCE	
VOLTAGE:	120v

MOUNTING	
CANOPY:	6" Dia.
LEAD WIRE:	1 X 76"

SHIPPING	
CARTON LENGTH:	34.5
CARTON WIDTH:	11
CARTON HEIGHT:	10.5

The raw, edgy style of Indy is the perfect complement for all modern industrial design-inspired rooms. Available in Brushed Nickel, Matte White or Metallic Matte Bronze finish options. Indy is so versatile; it can be used for both indoor and outdoor spaces. Blades are included with every fan.

PRODUCT DETAILS:

- Fan Control included, Wall Control - 4 Speed Non-Reversing
- For more information on how to control your ceiling fan via the Hinkley Home Automation App, [click here](#).
- This item may be hung on a sloped ceiling
- Suitable for use in wet (outdoor direct rain) locations as defined by NEC and CEC. Meets United States UL Underwriters Laboratories & CSA Canadian Standards Association Product Safety Standards
- Bold silhouette with dramatic details creates a modern statement
- Accessory controls available that are compatible with your WiFi for the ultimate Smart Home connectivity
- This item includes a 6" down rod. Other various lengths of down rods are available and sold separately to customize the installation height.
- Blades, controls, switches, capacitors and hardware carry a 1-year warranty

HINKLEY

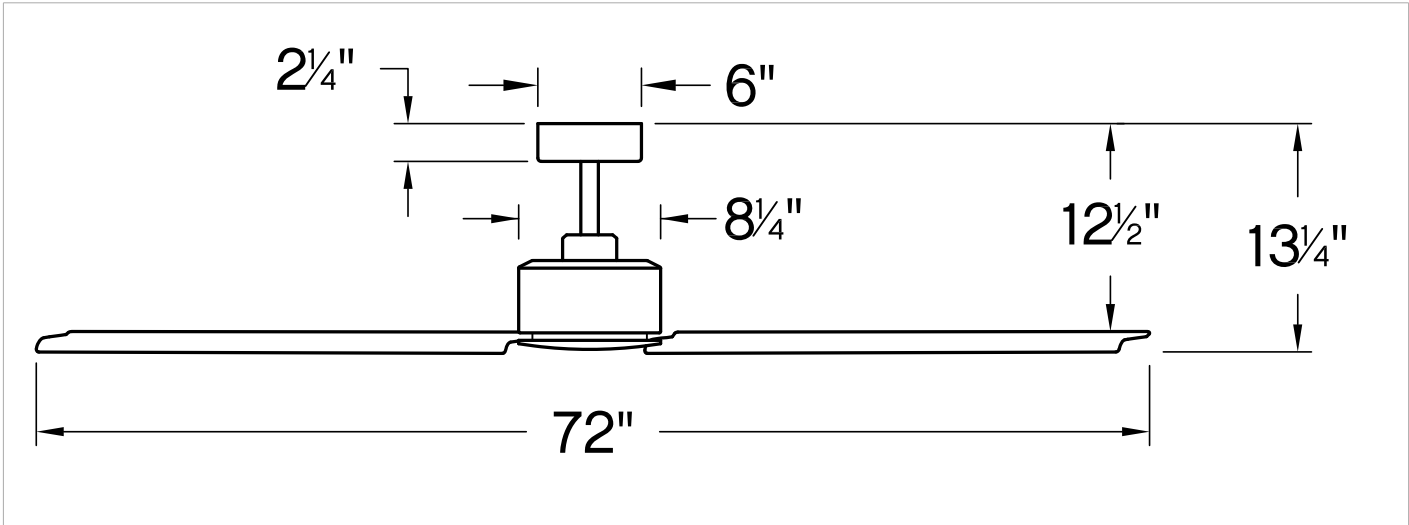
HINKLEY
33000 Pin Oak Parkway
Avon Lake, OH 44012

PHONE: (440) 653-5500
Toll Free: 1 (800) 446-5539

hinkley.com

INDY 72" FAN

900972FMM-NWA



PERFORMANCE SPECIFICATIONS	STANDARD	
	HIGH SPEED	AVERAGE SPEED
Airflow	6425	4465
EnergyUse	62.6	39
EnergyCost	18	11
Efficiency	103	115
AMPS	0.52	0.37
RPMS	83	72

AVERAGE PERFORMANCE AND ENERGY INFORMATION

ENERGYGUIDE

Estimated Yearly Energy Cost

\$11

Cost Range of Similar Models (19" – 84")

\$3 | | | \$34

- Based on 12 cents per kWh and 6.4 hours use per day
- Your cost depends on rates and use
- Energy Use: 39 Watts

Airflow

4,465

Cubic Feet Per Minute

- The higher the airflow, the more air the fan will move
- Airflow Efficiency: 115 Cubic Feet Per Minute Per Watt

All estimates based on typical use, excluding lights ftc.gov/energy

Airflow Shown Is a Weighted Average of High and Low Cubic Feet per Minute Based on Downrod

HINKLEY

HINKLEY
33000 Pin Oak Parkway
Avon Lake, OH 44012

PHONE: (440) 653-5500
Toll Free: 1 (800) 446-5539

hinkley.com