



HOVER FLUSH

900852FGT-LWD

HOVER FLUSH 52" LED FAN

DETAILS	
FAN FINISH:	Graphite
GLASS:	Etched Opal
BLADE COUNT:	3

DIMENSIONS	
WIDTH:	52"
HEIGHT:	10.5"

LIGHT SOURCE	
VOLTAGE:	120v

MOUNTING	
CANOPY:	7.75" Dia.
LEAD WIRE:	1 X 8"

Clean and sleek, Hover Flush is a stunning modern upgrade for any project. Available in Matte Black, Brushed Nickel, Graphite, Matte White or Metallic Matte Bronze, Hover comes equipped with integrated warm-dim LED and DC motor technology to deliver excellent energy efficiency. Hover Flush is so versatile; it can be used for both indoor and outdoor spaces.

PRODUCT DETAILS:

- Suitable for use in wet (interior direct splash and outdoor direct rain or sprinkler) locations as defined by NEC and CEC. Meets United States UL Underwriters Laboratories.
- WiFi compatibility with included fan control
- Fan Control included, HIRO Control - 6 Speed Reversing
- LED components carry a 5-year limited warranty
- Motor carries a lifetime warranty
- Blades, controls, switches, capacitors and hardware carry a 1 year warranty
- Bold lines and a clean, minimalist style creates a modern look
- Single power source required

HINKLEY

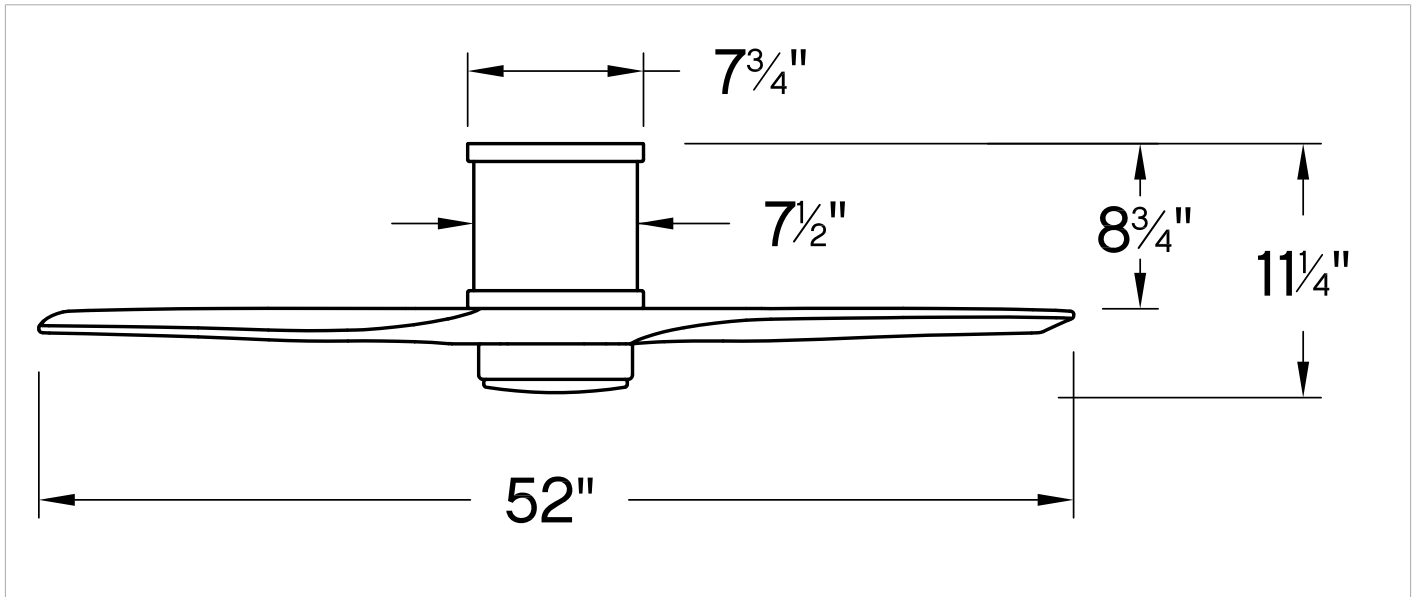
HINKLEY
33000 Pin Oak Parkway
Avon Lake, OH 44012

PHONE: (440) 653-5500
Toll Free: 1 (800) 446-5539

hinkley.com

HOVER FLUSH 52" LED FAN

900852FGT-LWD



PERFORMANCE SPECIFICATIONS	STANDARD	
	HIGH SPEED	AVERAGE SPEED
Airflow	4957	3174
EnergyUse	20.5	13.1
EnergyCost	6	4
Efficiency	242	243
AMPS	0.31	0.18
RPMS	170	108

AVERAGE PERFORMANCE AND ENERGY INFORMATION

ENERGYGUIDE

Estimated Yearly Energy Cost **\$4**

Airflow **3,174**
Cubic Feet Per Minute

Cost Range of Similar Models (19" - 84")
\$3 | | | \$34

- Based on 12 cents per kWh and 6.4 hours use per day
- Your cost depends on rates and use
- Energy Use: 13.1 Watts

• The higher the airflow, the more air the fan will move
• Airflow Efficiency: 243 Cubic Feet Per Minute Per Watt

All estimates based on typical use, excluding lights ftc.gov/energy

Airflow Shown is a Weighted Average of High and Low Cubic Feet per Minute Based on Close to Ceiling

HINKLEY

HINKLEY
33000 Pin Oak Parkway
Avon Lake, OH 44012

PHONE: (440) 653-5500
Toll Free: 1 (800) 446-5539

hinkley.com