



# HOVER FLUSH

**900852FBN-LWD**

HOVER FLUSH 52" LED SMART FAN

DETAILS	
FAN FINISH:	Brushed Nickel
GLASS:	Etched Opal
BLADE COUNT:	3

DIMENSIONS	
WIDTH:	52"
HEIGHT:	10.5"

LIGHT SOURCE	
LED NAME:	EL16W2835
VOLTAGE:	120v
LUMENS:	1320
CRI:	90

MOUNTING	
CANOPY:	7.75" Dia.
LEAD WIRE:	1 X 12"

SHIPPING	
CARTON LENGTH:	31.5
CARTON WIDTH:	17
CARTON HEIGHT:	11

Clean and sleek, Hover Flush is a stunning modern upgrade for any project. Available in a variety of finish and blade combinations, Hover Flush comes equipped with integrated warm-dim LED lighting and DC motor technology to deliver excellent energy efficiency. Hover Flush is so versatile; it can be used for both indoor and outdoor spaces.

## PRODUCT DETAILS:

- Fan Control included, HIRO Control - 6 Speed Reversing
- For more information on how to control your ceiling fan via the Hinkley Home Automation App, [click here](#).
- Suitable for use in wet (outdoor direct rain) locations as defined by NEC and CEC. Meets United States UL Underwriters Laboratories & CSA Canadian Standards Association Product Safety Standards
- Bold silhouette with dramatic details creates a modern statement
- WiFi compatible with included fan control
- LED components carry a 5-year limited warranty
- Blades, controls, switches, capacitors and hardware carry a 1-year warranty
- Motor carries a lifetime warranty

# HINKLEY

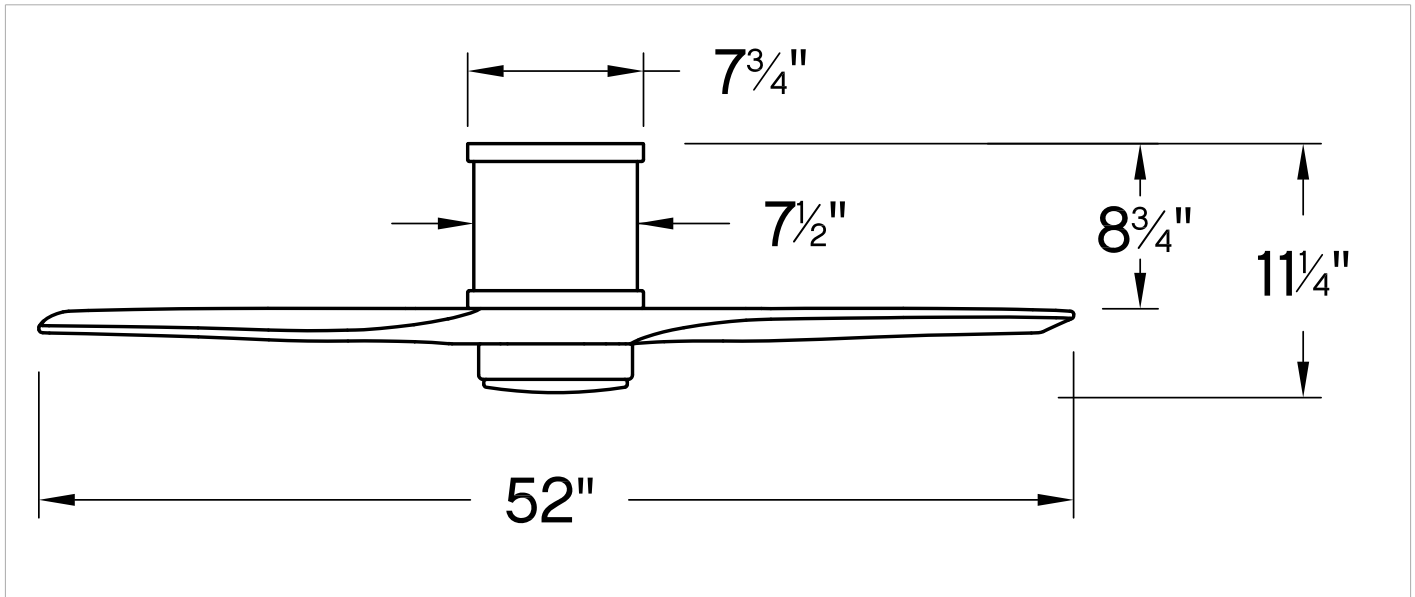
HINKLEY  
33000 Pin Oak Parkway  
Avon Lake, OH 44012

PHONE: (440) 653-5500  
Toll Free: 1 (800) 446-5539

[hinkley.com](http://hinkley.com)

# HOVER FLUSH 52" LED SMART FAN

900852FBN-LWD



PERFORMANCE SPECIFICATIONS	STANDARD	
	HIGH SPEED	AVERAGE SPEED
Airflow	4957	3174
EnergyUse	20.5	13.1
EnergyCost	6	4
Efficiency	242	243
AMPS	0.31	0.18
RPMS	170	108

**AVERAGE PERFORMANCE AND ENERGY INFORMATION**

## ENERGYGUIDE

Estimated Yearly Energy Cost

# \$4

Cost Range of Similar Models (19" – 84")

\$3 | | | \$34

- Based on 12 cents per kWh and 6.4 hours use per day
- Your cost depends on rates and use
- Energy Use: 13.1 Watts

Airflow

# 3,174

Cubic Feet Per Minute

- The higher the airflow, the more air the fan will move
- Airflow Efficiency: 243 Cubic Feet Per Minute Per Watt

All estimates based on typical use, excluding lights [ftc.gov/energy](http://ftc.gov/energy)

Airflow Shown is a Weighted Average of High and Low Cubic Feet per Minute Based on Close to Ceiling