

ARTISTE

900160FMM-LWD

ARTISTE 60" LED SMART FAN

DETAILS	
FAN FINISH:	Metallic Matte Bronze
GLASS:	Etched Opal
BLADE COUNT:	3
SLOPE DEGREE:	20

DIMENSIONS	
WIDTH:	60"
HEIGHT:	15.5"

LIGHT SOURCE	
LED NAME:	EL16W2835
VOLTAGE:	120v
LUMENS:	1320
CRI:	90

MOUNTING	
CANOPY:	6" Dia.
LEAD WIRE:	1 X 76"

SHIPPING	
CARTON LENGTH:	37
CARTON WIDTH:	15.5
CARTON HEIGHT:	9.5

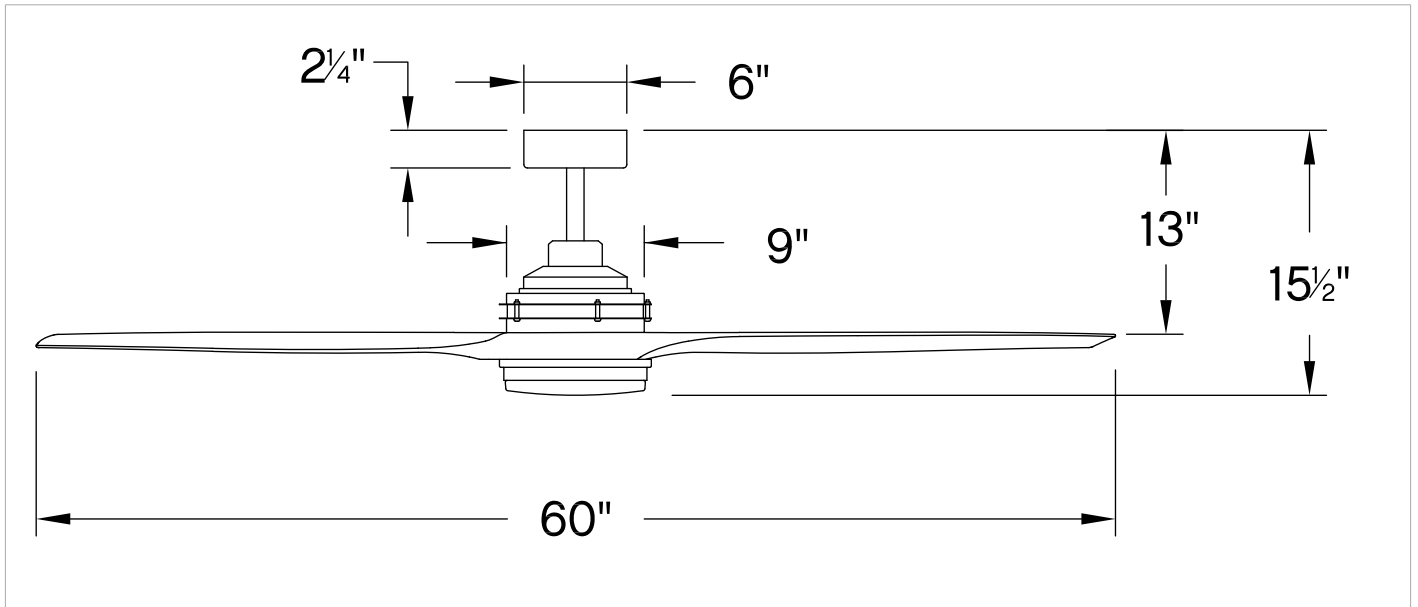
Artiste offers a transitional silhouette to enhance any interior or outdoor setting. Elegantly tapered blades are available in a wide array of fashionable finishes to cool and accentuate your space in style. Its integrated warm-dim LED and DC motor technology deliver excellent energy efficiency. Artiste is so versatile; it can be used for both indoor and outdoor spaces.

PRODUCT DETAILS:

- Fan Control included, HIRO Control - 6 Speed Reversing
- For more information on how to control your ceiling fan via the Hinkley Home Automation App, [click here](#).
- This item may be hung on a sloped ceiling
- Suitable for use in wet (outdoor direct rain) locations as defined by NEC and CEC. Meets United States UL Underwriters Laboratories & CSA Canadian Standards Association Product Safety Standards
- WiFi compatible with included fan control
- LED components carry a 5-year limited warranty
- This item includes a 6" down rod. Other various lengths of down rods are available and sold separately to customize the installation height.
- Merging the best of traditional and modern elements with a sophisticated and streamlined look

ARTISTE 60" LED SMART FAN

900160FMM-LWD



PERFORMANCE SPECIFICATIONS	STANDARD	
	HIGH SPEED	AVERAGE SPEED
Airflow	7009	4639
EnergyUse	20.5	13.3
EnergyCost	6	4
Efficiency	341	350
AMPS	0.3	0.17
RPMS	150	98

HINKLEY

HINKLEY
33000 Pin Oak Parkway
Avon Lake, OH 44012

PHONE: (440) 653-5500
Toll Free: 1 (800) 446-5539

hinkley.com