



ARTISTE

900160FGT-LWD

ARTISTE 60" LED FAN

DETAILS	
FAN FINISH:	Graphite
GLASS:	Etched Opal
BLADE COUNT:	3
SLOPE DEGREE:	20

DIMENSIONS	
WIDTH:	60"
HEIGHT:	15.5"

LIGHT SOURCE	
LED NAME:	SMJD_2G16W7PX
VOLTAGE:	120v
LUMENS:	1500
CRI:	90

MOUNTING	
CANOPY:	6" Dia.
LEAD WIRE:	1 X 76"

SHIPPING	
CARTON LENGTH:	37
CARTON WIDTH:	15.5
CARTON HEIGHT:	9.5

Artiste offers a transitional silhouette to enhance any and all spaces. Elegantly tapered blades are available in a wide array of fashionable finishes to cool and accentuate a space in style. Its integrated LED lighting and DC motor technology deliver excellent energy efficiency. Artiste is so versatile, it can be used for both indoor and outdoor spaces. Blades are included with every fan.

PRODUCT DETAILS:

- This item includes a 6" down rod. Other various lengths of down rods are available and sold separately to customize the installation height.
- Suitable for use in wet (interior direct splash and outdoor direct rain or sprinkler) locations as defined by NEC and CEC. Meets United States UL Underwriters Laboratories.
- This item may be hung on a sloped ceiling
- Fan Control included, HIRO Control - 6 Speed Reversing
- WiFi compatibility with included fan control
- LED components carry a 5-year limited warranty
- Motor carries a lifetime warranty
- Blades, controls, switches, capacitors and hardware carry a 1 year warranty

HINKLEY

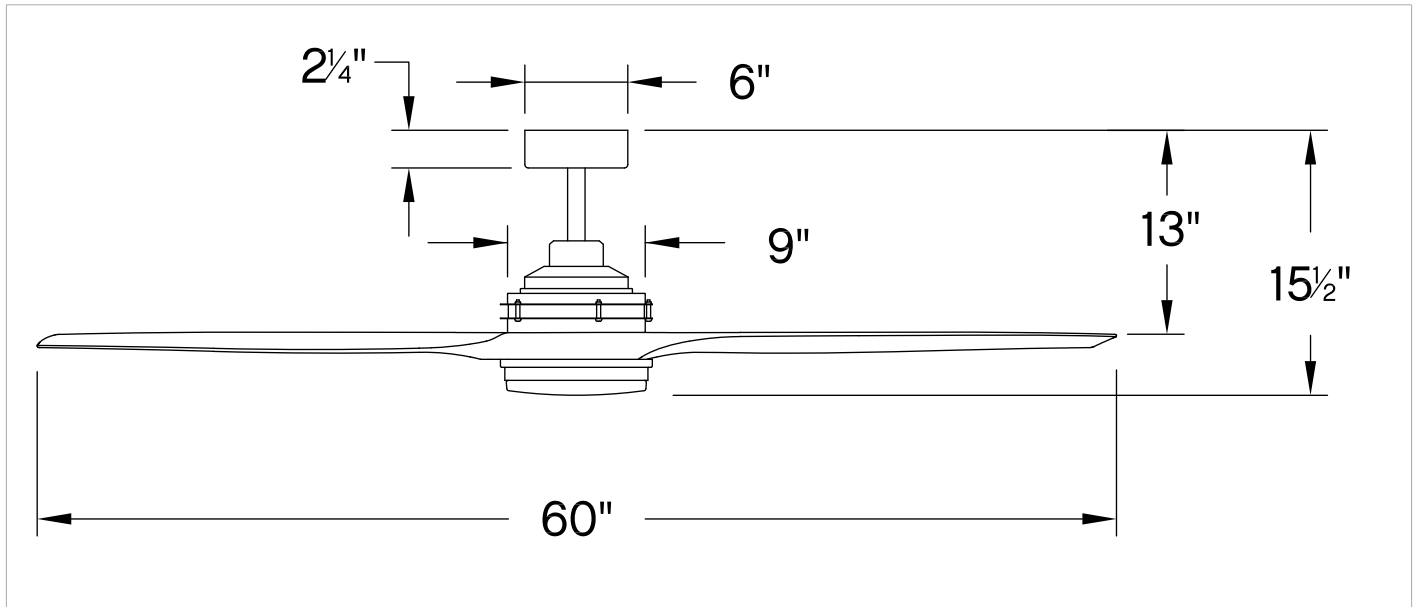
HINKLEY
33000 Pin Oak Parkway
Avon Lake, OH 44012

PHONE: (440) 653-5500
Toll Free: 1 (800) 446-5539

hinkley.com

ARTISTE 60" LED FAN

900160FGT-LWD



PERFORMANCE SPECIFICATIONS	STANDARD	
	HIGH SPEED	AVERAGE SPEED
Airflow	7009	4639
EnergyUse	20.5	13.3
EnergyCost	6	4
Efficiency	341	350
AMPS	0.3	0.17
RPMS	150	98

AVERAGE PERFORMANCE AND ENERGY INFORMATION

ENERGYGUIDE

Estimated Yearly Energy Cost
\$4

Airflow
4,639
Cubic Feet Per Minute

Cost Range of Similar Models (19" – 84")
\$3 | | | \$34

- Based on 12 cents per kWh and 6.4 hours use per day
- Your cost depends on rates and use
- Energy Use: 13.3 Watts

• The higher the airflow, the more air the fan will move
• Airflow Efficiency: 350 Cubic Feet Per Minute Per Watt

All estimates based on typical use, excluding lights ftc.gov/energy

Airflow Shown is a Weighted Average of High and Low Cubic Feet per Minute Based on Downrod

HINKLEY

HINKLEY
33000 Pin Oak Parkway
Avon Lake, OH 44012

PHONE: (440) 653-5500
Toll Free: 1 (800) 446-5539

hinkley.com