

SATURN

1901MT

LARGE POST TOP OR PIER MOUNT LANTERN

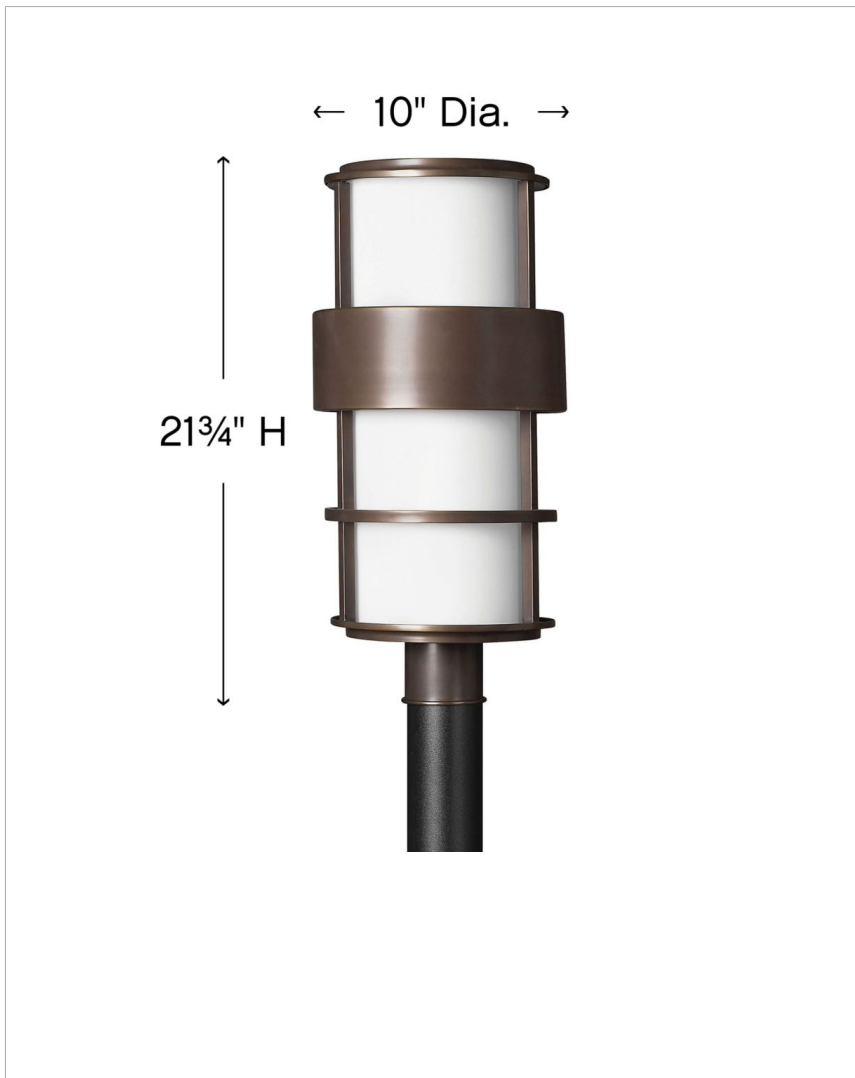
Saturn is a stunning, modern design offering robust construction and intersecting lines that create a striking contrast against the clear seeded glass.

DETAILS	
FINISH:	Metro Bronze
MATERIAL:	Brass
GLASS:	Etched Opal
DIMMABLE:	No

DIMENSIONS	
WIDTH:	10"
HEIGHT:	21.8"
WEIGHT:	10lb

LIGHT SOURCE	
LIGHT SOURCE:	Socketed
VOLTAGE:	120v

SHIPPING	
CARTON LENGTH:	11.8
CARTON WIDTH:	11.8
CARTON HEIGHT:	23.8
CARTON WEIGHT:	14



PRODUCT DETAILS:

- Suitable for use in wet (outdoor direct rain) locations as defined by NEC and CEC. Meets United States UL Underwriters Laboratories & CSA Canadian Standards Association Product Safety Standards
- 2-year finish warranty
- Bold lines and a clean, minimalist style complement contemporary architecture