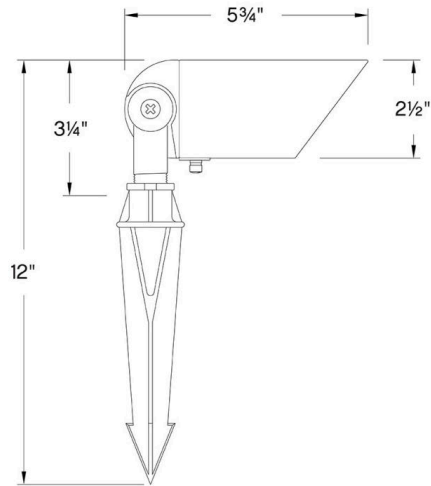


ACCENT SPOT LIGHT

1536BZ

12V MR16

Hinkley Spotlights are engineered to enhance your property with a warm ambient glow. Accentuate your home's architecture, highlight your landscape's natural beauty, and extend outdoor living spaces with optimized illumination.



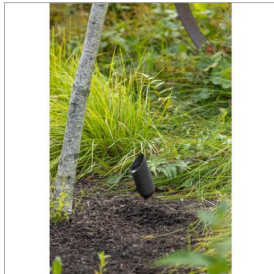
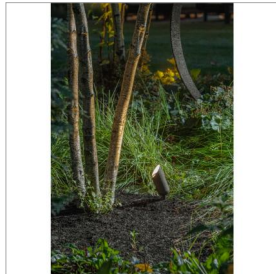
DETAILS	
FINISH:	Bronze
MATERIAL:	Aluminum
GLASS:	Clear Lens
DIMMABLE:	YES - WITH DIMMABLE LAMP (NOT INCLUDED)

DIMENSIONS	
WIDTH:	5.8"
HEIGHT:	3.3"
DEPTH:	2.5
WEIGHT:	1lb

LIGHT SOURCE	
LIGHT SOURCE:	Socketed
WATTAGE:	1-8w MR16 LED, 12w Equiv.
VOLTAGE:	12v
TRANSFORMER REQUIRED:	Yes

MOUNTING	
LEAD WIRE:	1 X 18"

SHIPPING	
CARTON LENGTH:	11.5
CARTON WIDTH:	4.9
CARTON HEIGHT:	2.8
CARTON WEIGHT:	1.1



PRODUCT DETAILS:

- A wiring kit and ground spike are supplied
- Wet Rated
- Photometrics are based off bulb photometrics
- LED conversion bulbs available
- The Hinkley Home Automation App allows you to control your landscape lights anytime, anywhere. You can turn dimmers on/off and adjust sliding brightness settings remotely.
- Classic lines and heritage details complement traditional architecture
- Highlight special areas of your landscape such as foliage, trees, and architectural environments
- 12V lighting systems consume less energy, leading to lower electricity bills and a reduced carbon footprint

HINKLEY

HINKLEY
33000 Pin Oak Parkway
Avon Lake, OH 44012

PHONE: (440) 653-5500
Toll Free: 1 (800) 446-5539

hinkley.com