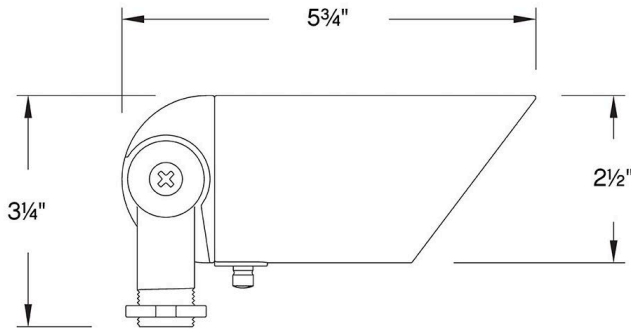


# HARDY ISLAND ACCENT SPOT LIGHT

## 1536BSK-LL

12V MR16 LED 4W

Hinkley's low-voltage Spotlights are designed to enhance your property with a warm ambient glow. Accentuate your home's architecture, highlight your landscape's natural beauty, and extend outdoor living spaces with optimized illumination. Named after the ruggedly beautiful island off the coast of British Columbia, our Hardy Island Collection is impeccably constructed with solid cast brass to defy the harshest environments.



DETAILS	
FINISH:	Brass Satin Black
MATERIAL:	Brass
GLASS:	Clear Lens
DIMMABLE:	YES - WITH MLV ON TRANSFORMER PRIMARY

DIMENSIONS	
WIDTH:	5.8"
HEIGHT:	3.3"
DEPTH:	2.5
WEIGHT:	1.4lb

LIGHT SOURCE	
LIGHT SOURCE:	Socketed
WATTAGE:	1-4w MR16 LED *Included
VOLTAGE:	12v
VOLT AMPS:	5.7
TRANSFORMER REQUIRED:	Yes

MOUNTING	
LEAD WIRE:	1 X 18"

SHIPPING	
CARTON LENGTH:	11.5
CARTON WIDTH:	5.3
CARTON HEIGHT:	3.3
CARTON WEIGHT:	1.6



### PRODUCT DETAILS:

- A wiring kit and ground spike are supplied
- Wet Rated
- Optional performance lenses available
- The Hinkley Home Automation App allows you to control your landscape lights anytime, anywhere. You can turn dimmers on/off and adjust sliding brightness settings remotely.
- Hardy Island Series products carry a lifetime limited warranty
- LED Bulbs carry a 3-year limited warranty
- Part of the Hardy Island Collection, constructed with solid cast brass for impeccable weather resistance
- Classic lines and heritage details complement traditional architecture

# HINKLEY

HINKLEY  
33000 Pin Oak Parkway  
Avon Lake, OH 44012

PHONE: (440) 653-5500  
Toll Free: 1 (800) 446-5539

[hinkley.com](http://hinkley.com)