

# STINSON

## 3533DA

### MEDIUM SEMI-FLUSH MOUNT

For a classic statement-maker, Stinson hits the mark. A robust open and airy cage, designed for maximum impact in Distressed Brass or Black with Polished Nickel finish, is accompanied by refined sparkling crystal accents to create the perfect mix of traditional appeal and industrial panache.

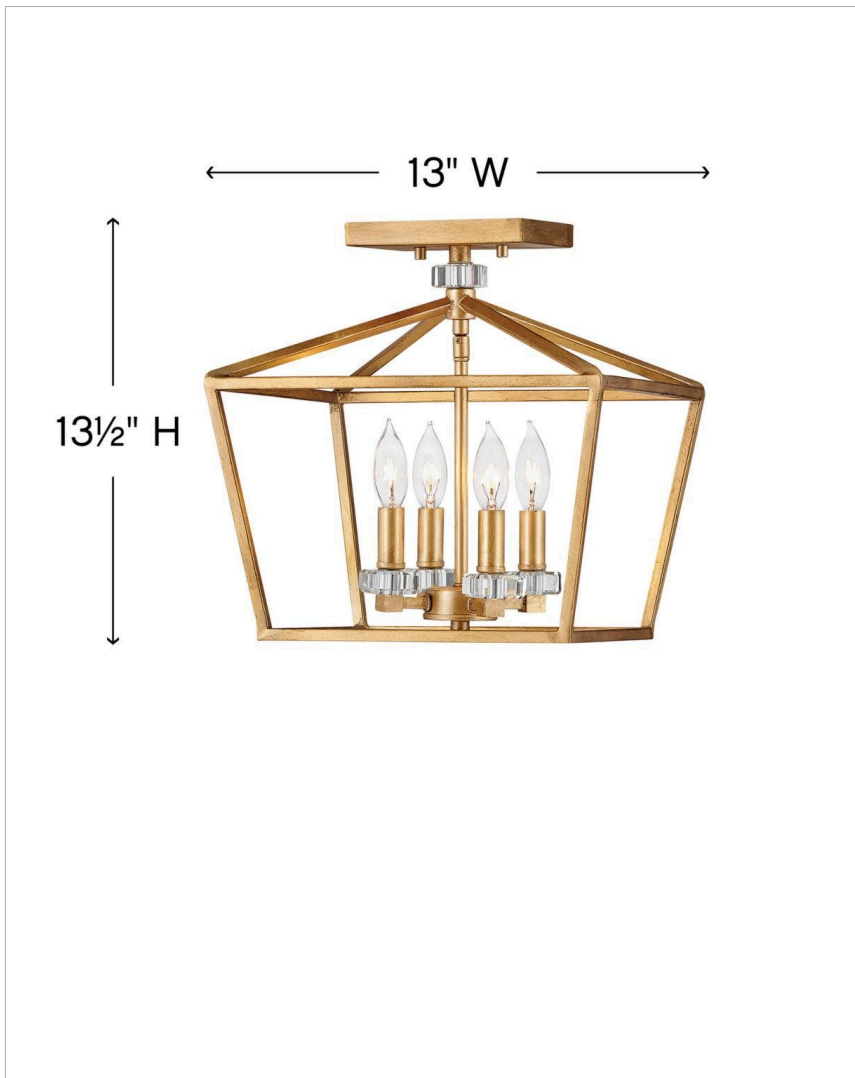
DETAILS	
FINISH:	Distressed Brass
MATERIAL:	Steel
DIMMABLE:	No

DIMENSIONS	
WIDTH:	13"
HEIGHT:	13.5"
WEIGHT:	5lb

LIGHT SOURCE	
LIGHT SOURCE:	Socketed
WATTAGE:	4-5w Cand. LED, 60w Equiv.
VOLTAGE:	120v

MOUNTING	
CANOPY:	5" Sq.

SHIPPING	
CARTON LENGTH:	15
CARTON WIDTH:	15
CARTON HEIGHT:	15.3
CARTON WEIGHT:	7.6



#### PRODUCT DETAILS:

- Suitable for use in dry (indoor) locations as defined by NEC and CEC. Meets United States UL Underwriters Laboratories & CSA Canadian Standards Association Product Safety Standards.
- Merging the best of traditional and modern elements with a sophisticated and streamlined look