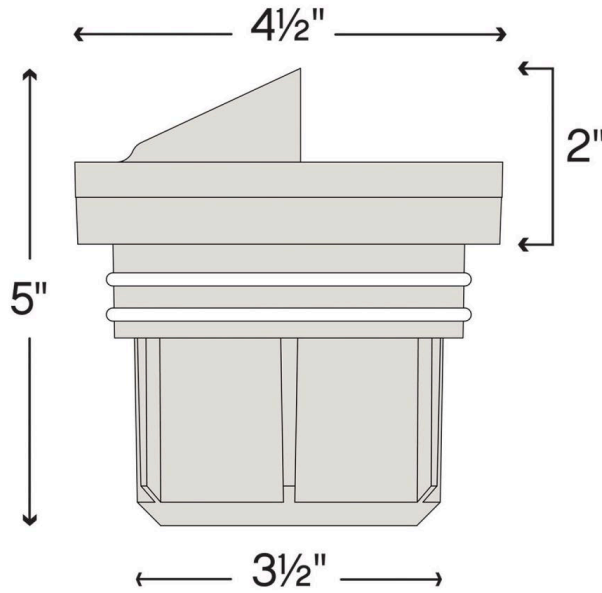




WELL LIGHT

15708MZ

12V SHIELDED MR16



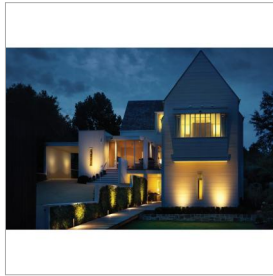
DETAILS	
FINISH:	Matte Bronze
MATERIAL:	Aluminum
GLASS:	Clear Lens
DIMMABLE:	YES - WITH DIMMABLE LAMP (NOT INCLUDED)

DIMENSIONS	
WIDTH:	4.5"
HEIGHT:	7"
DEPTH:	4.5
WEIGHT:	3lb

LIGHT SOURCE	
LIGHT SOURCE:	Socketed
WATTAGE:	1-12w MR16 LED, 50w Equiv.
VOLTAGE:	12v
TRANSFORMER REQUIRED:	Yes

MOUNTING	
LEAD WIRE:	1 X 36"

SHIPPING	
CARTON LENGTH:	7
CARTON WIDTH:	7
CARTON HEIGHT:	13.5
CARTON WEIGHT:	4.5



PRODUCT DETAILS:

- Wet Rated
- Photometrics are based off bulb photometrics
- Lamp adjustable +/- 20 degrees
- PVC constructed concrete pour kit and burial sleeve are supplied
- Includes a dense foam cap to prevent concrete from entering
- Optional Hex Louver lens available (0037HL)
- A wiring kit is supplied
- The Hinkley Home Automation App allows you to control your landscape lights anytime, anywhere. You can turn dimmers on/off and adjust sliding brightness settings remotely.