

PORTICO

3066GG

LARGE OPEN FRAME DRUM

The Portico pendant highlights the medallion, a classic design element, by fusing this antique pattern with on-trend mixed metal finishes in Glacial and Metallic Matte Bronze to reveal a modern symmetry. Delicate crystal candle cups, an elegantly tapered center column and two-tone canopy ensure refined details emanate throughout Portico's sophisticated design.

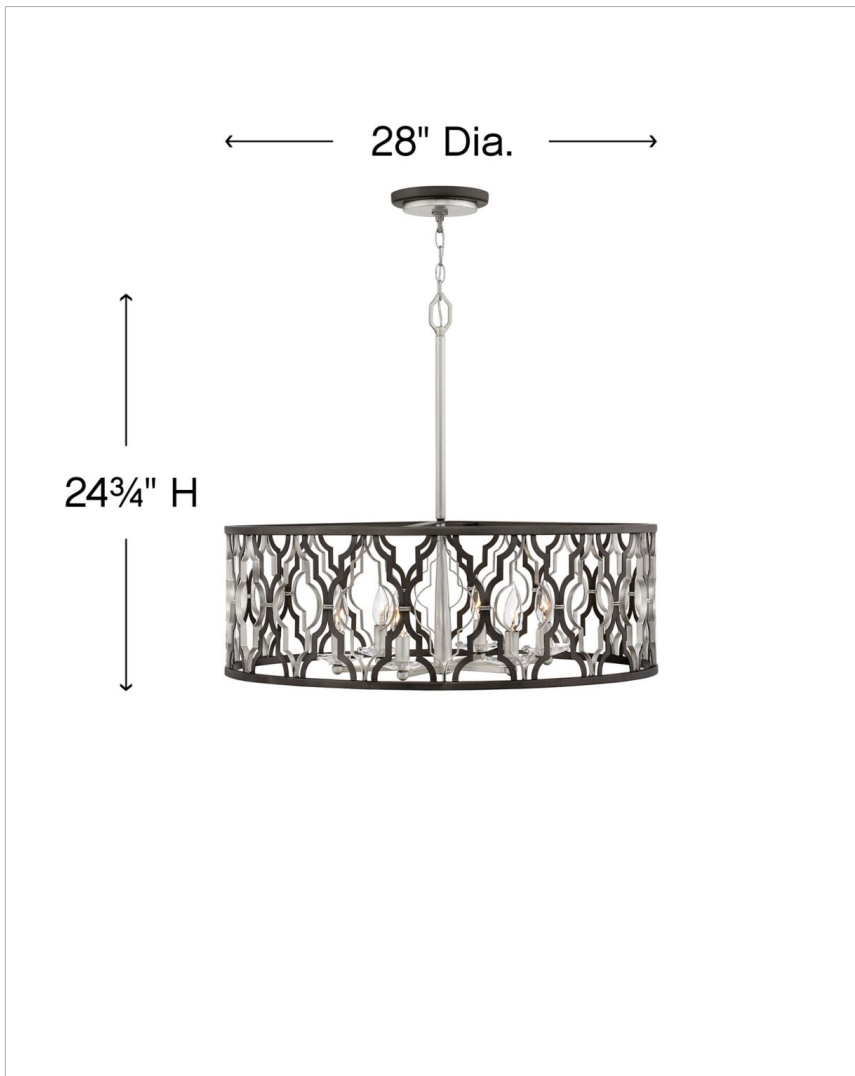
DETAILS	
FINISH:	Glacial
MATERIAL:	Steel
SLOPE DEGREE:	90
DIMMABLE:	YES - WITH DIMMABLE LAMP (NOT INCLUDED)

DIMENSIONS	
WIDTH:	28"
HEIGHT:	24.8"
WEIGHT:	12lb

LIGHT SOURCE	
LIGHT SOURCE:	Socketed
WATTAGE:	6-5w Cand. LED, 60w Equiv.
VOLTAGE:	120v

MOUNTING	
CANOPY:	6.5" Dia.
LEAD WIRE:	1 X 144"

SHIPPING	
CARTON LENGTH:	31.5
CARTON WIDTH:	13.5
CARTON HEIGHT:	31.5
CARTON WEIGHT:	22



PRODUCT DETAILS:

- Suitable for use in dry (indoor) locations as defined by NEC and CEC. Meets United States UL Underwriters Laboratories & CSA Canadian Standards Association Product Safety Standards.
- This item may be hung on a sloped ceiling
- Merging the best of traditional and modern elements with a sophisticated and streamlined look
- Convertible fixture can be hung as a pendant or semi-flush mount