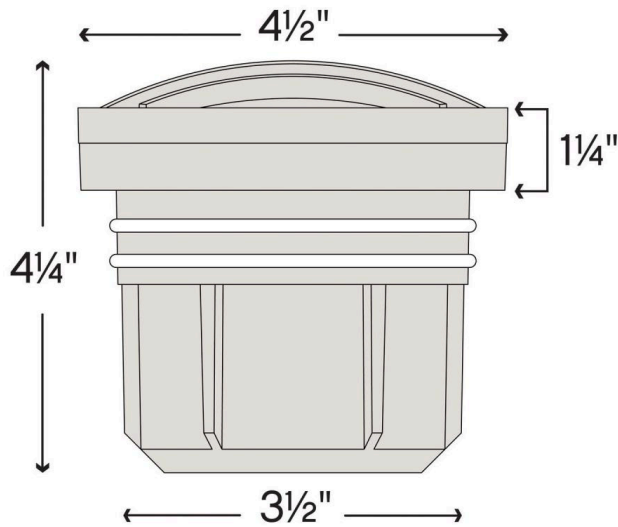


WELL LIGHT

15705BZ

12V GRILL TOP MR16



DETAILS	
FINISH:	Bronze
MATERIAL:	Aluminum
GLASS:	Clear Lens
DIMMABLE:	YES - WITH DIMMABLE LAMP (NOT INCLUDED)

DIMENSIONS	
WIDTH:	4.8"
HEIGHT:	4.8"
DEPTH:	4.8
WEIGHT:	3lb

LIGHT SOURCE	
LIGHT SOURCE:	Socketed
WATTAGE:	1-9w MR16 LED
VOLTAGE:	12v
TRANSFORMER REQUIRED:	Yes

MOUNTING	
LEAD WIRE:	1 X 36"

SHIPPING	
CARTON LENGTH:	7
CARTON WIDTH:	7
CARTON HEIGHT:	13.5
CARTON WEIGHT:	4.5



PRODUCT DETAILS:

- Wet Rated
- Photometrics are based off bulb photometrics
- Lamp adjustable +/- 20 degrees
- PVC constructed concrete pour kit and burial sleeve are supplied
- Includes a dense foam cap to prevent concrete from entering
- Optional Hex Louver lens available (0037HL)
- The Hinkley Home Automation App allows you to control your landscape lights anytime, anywhere. You can turn dimmers on/off and adjust sliding brightness settings remotely.
- Classic lines and heritage details complement traditional architecture

HINKLEY

HINKLEY
33000 Pin Oak Parkway
Avon Lake, OH 44012

PHONE: (440) 653-5500
Toll Free: 1 (800) 446-5539

hinkley.com