

ODETTE

FR39215PNI

MEDIUM CONVERTIBLE DRUM CHANDELIER

The luxurious composition of Odette's modern design forms a statement-making jewelry piece, certain to be the center of attention. The emerald-cut, solid crystal panels add breathtaking sparkle and light refraction unlike any other.

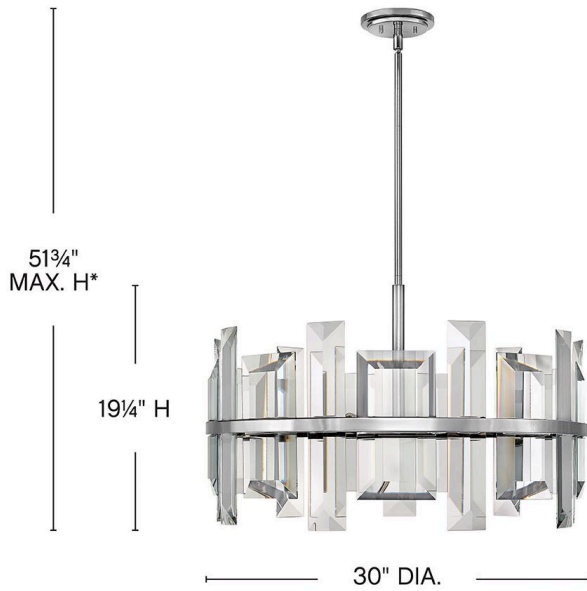
DETAILS	
FINISH:	Polished Nickel
MATERIAL:	Steel
SLOPE DEGREE:	90
DIMMABLE:	YES - WITH DIMMABLE LAMP (NOT INCLUDED)

DIMENSIONS	
WIDTH:	30"
HEIGHT:	19.3"
WEIGHT:	40.3lb

LIGHT SOURCE	
LIGHT SOURCE:	Socketed
WATTAGE:	9-5w Cand. LED, 60w Equiv.
VOLTAGE:	120v

MOUNTING	
CANOPY:	6" Dia.
LEAD WIRE:	1 X 120"
MAX HEIGHT:	51.8

SHIPPING	
CARTON LENGTH:	32.3
CARTON WIDTH:	7.5
CARTON HEIGHT:	32.3
CARTON WEIGHT:	45.1



*Maximum achievable height with stems included.



PRODUCT DETAILS:

- Can be hung on a sloped ceiling
- Includes (1) 6" stem and (2) 12" stems to customize hanging height
- Dry Rated
- Striking and glamorous silhouette with luxe details and a rich finish that makes a dramatic statement