

TRELLIS

1433DZ

SMALL WALL MOUNT LANTERN WITH SCROLL

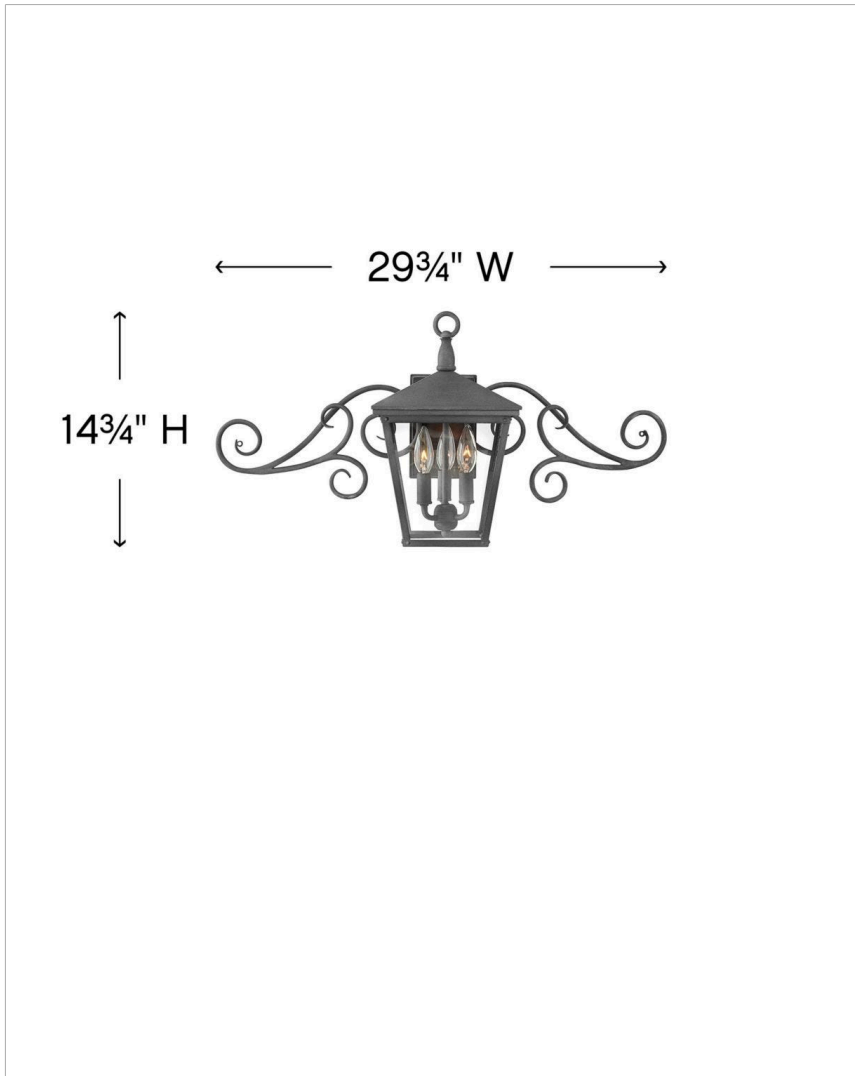
Trellis is a traditional European hanging wall lantern design in an Aged Zinc finish with clear glass or Regency Bronze with clear seeded glass. The large scroll arm detail, cast loop finial and true rivet detail create a refined elegance.

| DETAILS | |
|-----------|-----------|
| FINISH: | Aged Zinc |
| MATERIAL: | Aluminum |
| GLASS: | Clear |
| DIMMABLE: | No |

| DIMENSIONS | |
|----------------|-------------|
| WIDTH: | 29.8" |
| HEIGHT: | 14.8" |
| WEIGHT: | 6.6lb |
| BACK PLATE: | 4.5"W X 7"H |
| EXTENSION: | 11.5" |
| TOP TO OUTLET: | 7.75" |

| LIGHT SOURCE | |
|---------------|---|
| LIGHT SOURCE: | Socketed |
| WATTAGE: | 3-5w Cand. LED, 60w Equiv. or 3-60w Cand. |
| VOLTAGE: | 120v |

| SHIPPING | |
|----------------|------|
| CARTON LENGTH: | 13.4 |
| CARTON WIDTH: | 19.3 |
| CARTON HEIGHT: | 4.4 |
| CARTON WEIGHT: | 8.8 |



PRODUCT DETAILS:

- Suitable for use in wet (outdoor direct rain or sprinkler) locations as defined by NEC and CEC. Meets United States UL Underwriters Laboratories & CSA Canadian Standards Association Product Safety Standards
- Our Estate Collections boast a breadth of fixtures defined by coordinating composition, enduring architecture, and time-honored craftsmanship, designed to meet the needs of expansive properties with extended outdoor living spaces. From the entrance of your driveway to the depths of your backyard, these collections provide cohesive design for stately exteriors.
- 2 year finish warranty
- Classic lines and heritage details complement traditional architecture
- Rich gray tone