

TRELLIS

1430DZ

SMALL WALL MOUNT LANTERN

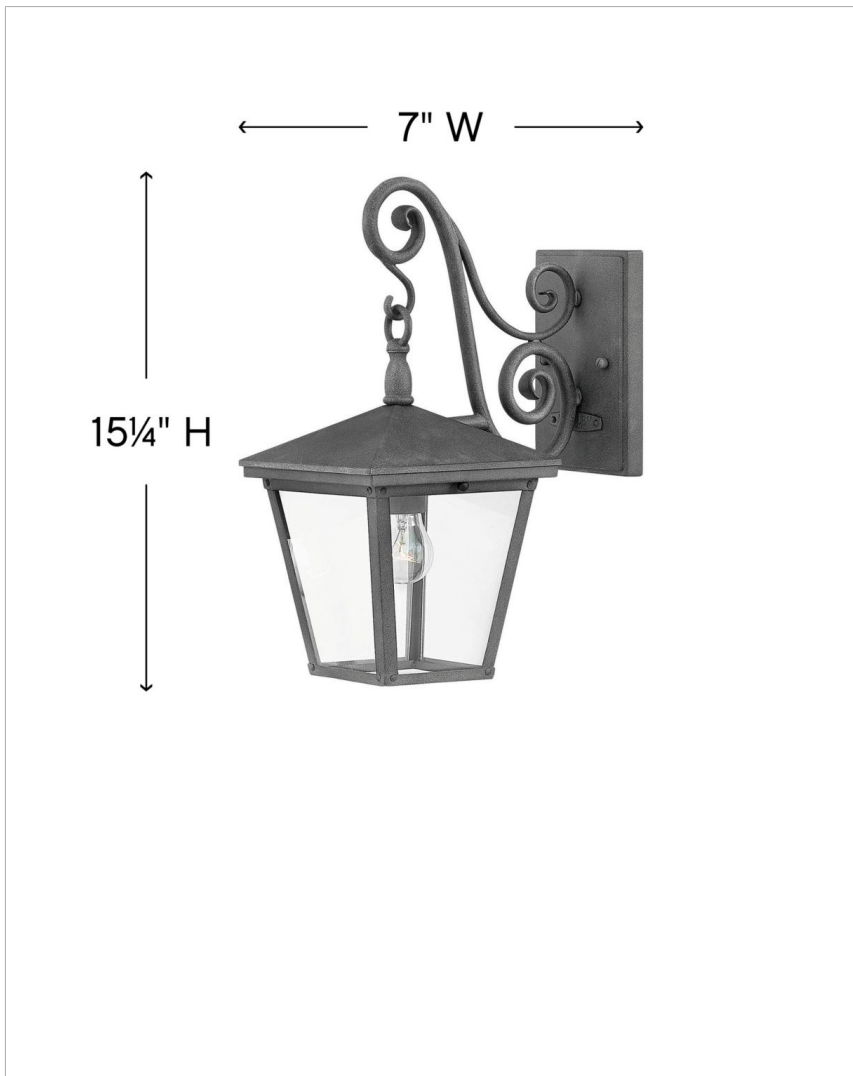
Trellis is a traditional European hanging wall lantern design in an Aged Zinc finish with clear glass or Regency Bronze with clear seeded glass. The large scroll arm detail, cast loop finial and true rivet detail create a refined elegance.

DETAILS	
FINISH:	Aged Zinc
MATERIAL:	Aluminum
GLASS:	Clear
DIMMABLE:	YES, WITH DIMMABLE LAMP (NOT INCLUDED)

DIMENSIONS	
WIDTH:	7"
HEIGHT:	15.3"
WEIGHT:	4lb
BACK PLATE:	4.5"W X 7"H
EXTENSION:	11.3"
TOP TO OUTLET:	6"

LIGHT SOURCE	
LIGHT SOURCE:	Socketed
WATTAGE:	1-12w Med. LED, 100W Equiv.
VOLTAGE:	120v

SHIPPING	
CARTON LENGTH:	13.4
CARTON WIDTH:	10.4
CARTON HEIGHT:	17.8
CARTON WEIGHT:	7



PRODUCT DETAILS:

- Suitable for use in wet (outdoor direct rain) locations as defined by NEC and CEC. Meets United States UL Underwriters Laboratories & CSA Canadian Standards Association Product Safety Standards
- Our Estate Collections boast a breadth of fixtures defined by coordinating composition, enduring architecture, and time-honored craftsmanship, designed to meet the needs of expansive properties with extended outdoor living spaces. From the entrance of your driveway to the depths of your backyard, these collections provide cohesive design for stately exteriors.
- 2-year finish warranty
- Classic lines and heritage details complement traditional architecture

HINKLEY

HINKLEY
33000 Pin Oak Parkway
Avon Lake, OH 44012

PHONE: (440) 653-5500
Toll Free: 1 (800) 446-5539

hinkley.com