

# VAPOR

## 2850TT

### SMALL WALL MOUNT LANTERN

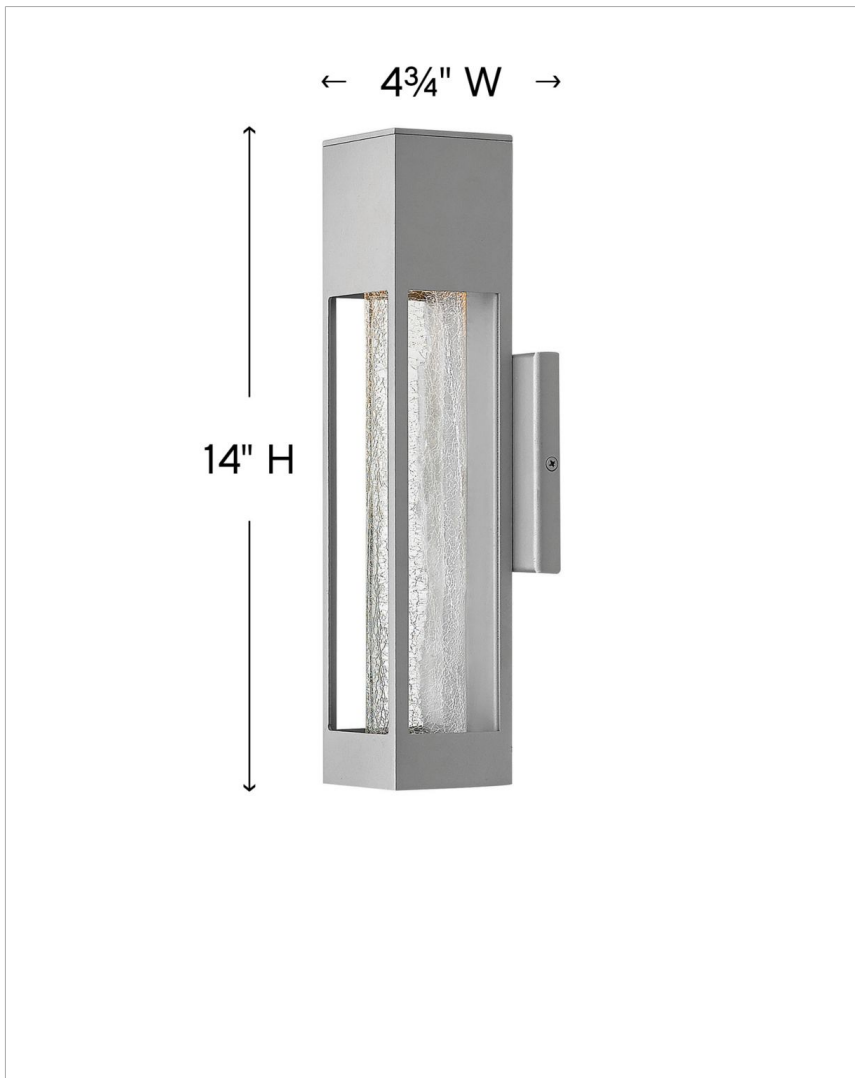
Vapor's streamlined profile allows the spectacular crackled glass to star in this captivating design. The low profile back plate and stamped metal construction project a sleek, contemporary style statement.

DETAILS	
FINISH:	Titanium
MATERIAL:	Aluminum
GLASS:	Crackle
DIMMABLE:	YES - CL TYPE DIMMER (SSL7A)

DIMENSIONS	
WIDTH:	4.8"
HEIGHT:	14"
WEIGHT:	3lb
BACK PLATE:	4.75" Sq.
EXTENSION:	3.8"
TOP TO OUTLET:	7.25"

LIGHT SOURCE	
LIGHT SOURCE:	Socketed
LED NAME:	GU10LED-6.5
WATTAGE:	1-7w GU10 LED, 35w Equiv.
VOLTAGE:	120v
COLOR TEMP:	2700
CRI:	80
DIMMABLE:	YES - CL TYPE DIMMER (SSL7A)

SHIPPING	
CARTON LENGTH:	10
CARTON WIDTH:	7.5
CARTON HEIGHT:	17.5
CARTON WEIGHT:	4



#### PRODUCT DETAILS:

- Mounting hardware is hidden on the back plate to ensure a clean silhouette
- Suitable for use in wet (outdoor direct rain) locations as defined by NEC and CEC. Meets United States UL Underwriters Laboratories & CSA Canadian Standards Association Product Safety Standards
- ADA compliant
- Vapor's stunning crackled glass casts spectacular light patterns, adding dramatic visual interest at night
- 2-year finish warranty
- Bold lines and a clean, minimalist style complement contemporary architecture
- For LED lamping, a 6.5w GU10 LED bulb is recommended: GU10LED-3K

# HINKLEY

HINKLEY  
33000 Pin Oak Parkway  
Avon Lake, OH 44012

PHONE: (440) 653-5500  
Toll Free: 1 (800) 446-5539

hinkley.com