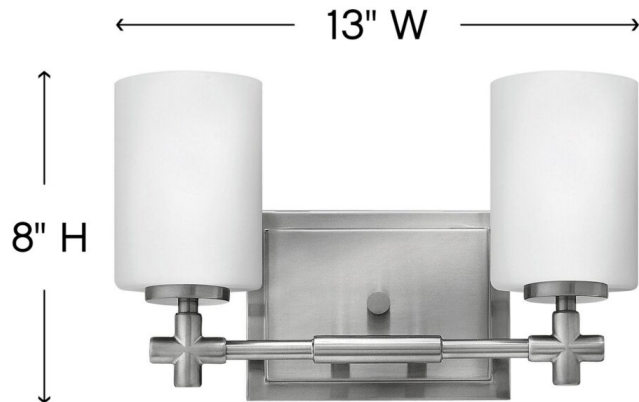


LAUREL

57552BN

TWO LIGHT VANITY

Laurel's appealing form combines both traditional and transitional design elements. This collection is available in Polished Nickel or Brushed Nickel, and features etched opal glass shades and medium base lamping. Chic details, such as a precision die-cast cross reminiscent of a timeless faucet handle, and a cast stepped back plate, convey a lasting elegance.

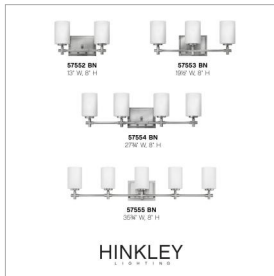


DETAILS	
FINISH:	Brushed Nickel
MATERIAL:	Steel
GLASS:	Etched Opal
DIMMABLE:	YES - WITH DIMMABLE LAMP (NOT INCLUDED)

DIMENSIONS	
WIDTH:	13"
HEIGHT:	8"
WEIGHT:	3.5lb
BACK PLATE:	6.75"W X 5"H
EXTENSION:	5"
TOP TO OUTLET:	5.5"

LIGHT SOURCE	
LIGHT SOURCE:	Socketed
WATTAGE:	38084
VOLTAGE:	120v

SHIPPING	
CARTON LENGTH:	14
CARTON WIDTH:	10
CARTON HEIGHT:	9
CARTON WEIGHT:	4.5



PRODUCT DETAILS:

- Fixture can be mounted either up or down
- Suitable for use in damp locations as defined by NEC and CEC. Meets United States UL Underwriters Laboratories & CSA Canadian Standards Association Product Safety Standards.
- Merging the best of traditional and modern elements with a sophisticated and streamlined look