

# VUE

## 12314BZ

### LARGE WALL MOUNT LANTERN

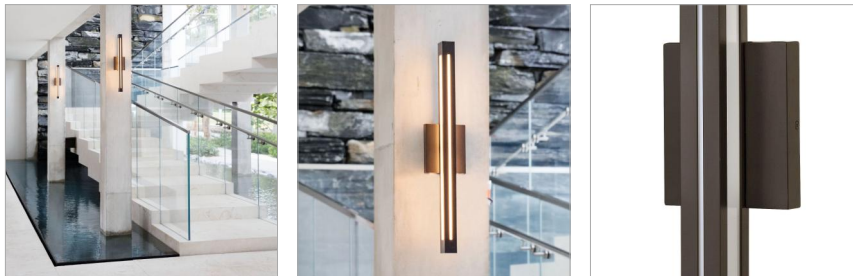
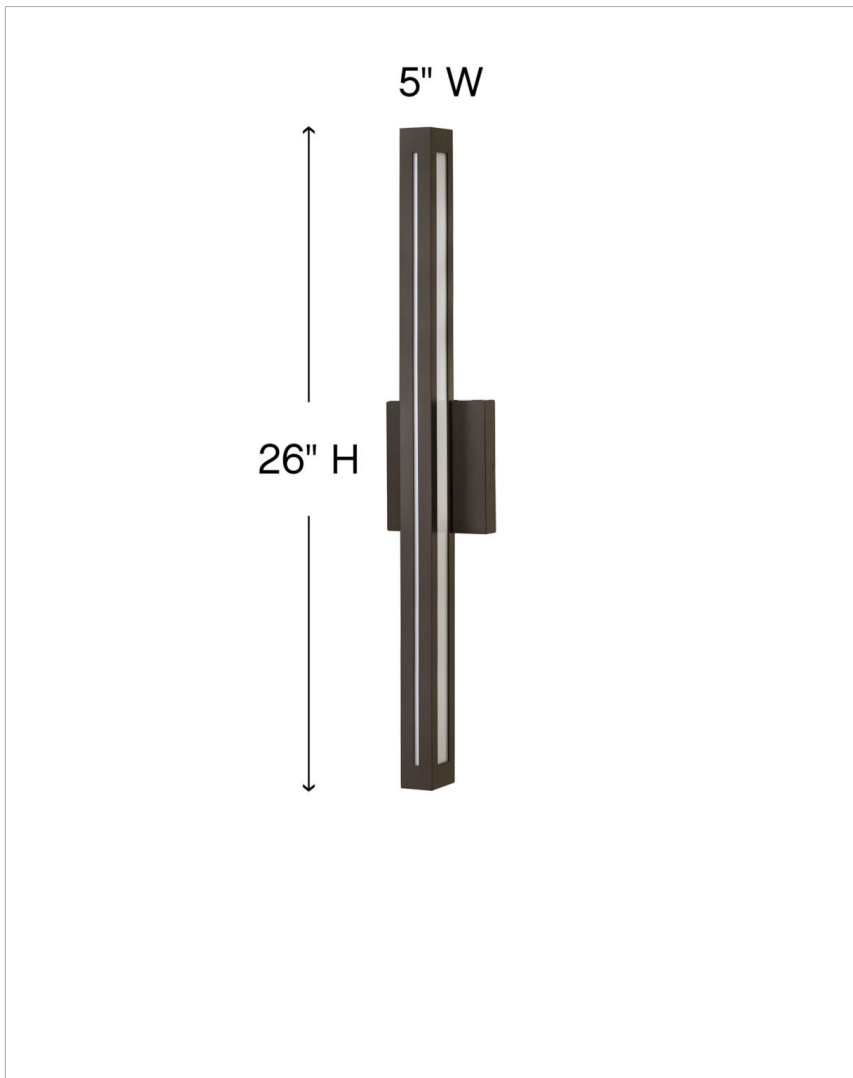
Vue's contemporary linear LED design is constructed of extruded and die-cast aluminum and is offered in either Bronze or Titanium finishes. The seamless architectural form emits light from white acrylic side windows and sleek front sliver. Incredibly versatile, the wet-rated Vue can be mounted vertically or horizontally, inside or outdoors.

DETAILS	
FINISH:	Bronze
MATERIAL:	Aluminum
GLASS:	Acrylic Lens
DIMMABLE:	YES, CL TYPE DIMMER (SSL7A)

DIMENSIONS	
WIDTH:	5"
HEIGHT:	26"
WEIGHT:	3.5lb
BACK PLATE:	5"W X 6"H
EXTENSION:	3"
TOP TO OUTLET:	13"

LIGHT SOURCE	
LIGHT SOURCE:	Integrated LED
LED NAME:	(2) LMP-S100-2
VOLTAGE:	120v
COLOR TEMP:	2700
LUMENS:	2400
CRI:	96
INCANDESCENT EQUIVALENCY:	4 x 60w
DIMMABLE:	YES, CL TYPE DIMMER (SSL7A)

SHIPPING	
CARTON LENGTH:	7
CARTON WIDTH:	5.5
CARTON HEIGHT:	28
CARTON WEIGHT:	4.5



#### PRODUCT DETAILS:

- Mounting hardware is hidden on the back plate to ensure a clean silhouette
- Fixture can be mounted horizontally.
- Suitable for use in wet (outdoor direct rain) locations as defined by NEC and CEC. Meets United States UL Underwriters Laboratories & CSA Canadian Standards Association Product Safety Standards
- ADA compliant
- Exclusively available in High Performance LED
- 2-year finish warranty
- LED components carry a 5-year limited warranty
- Bold lines and a clean, minimalist style complement contemporary architecture

# HINKLEY

HINKLEY  
33000 Pin Oak Parkway  
Avon Lake, OH 44012

PHONE: (440) 653-5500  
Toll Free: 1 (800) 446-5539

[hinkley.com](http://hinkley.com)