

VISTA

12302TT

SMALL WALL MOUNT LANTERN

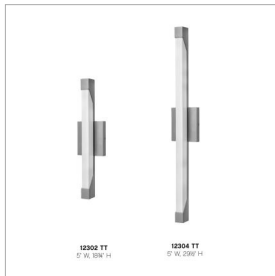
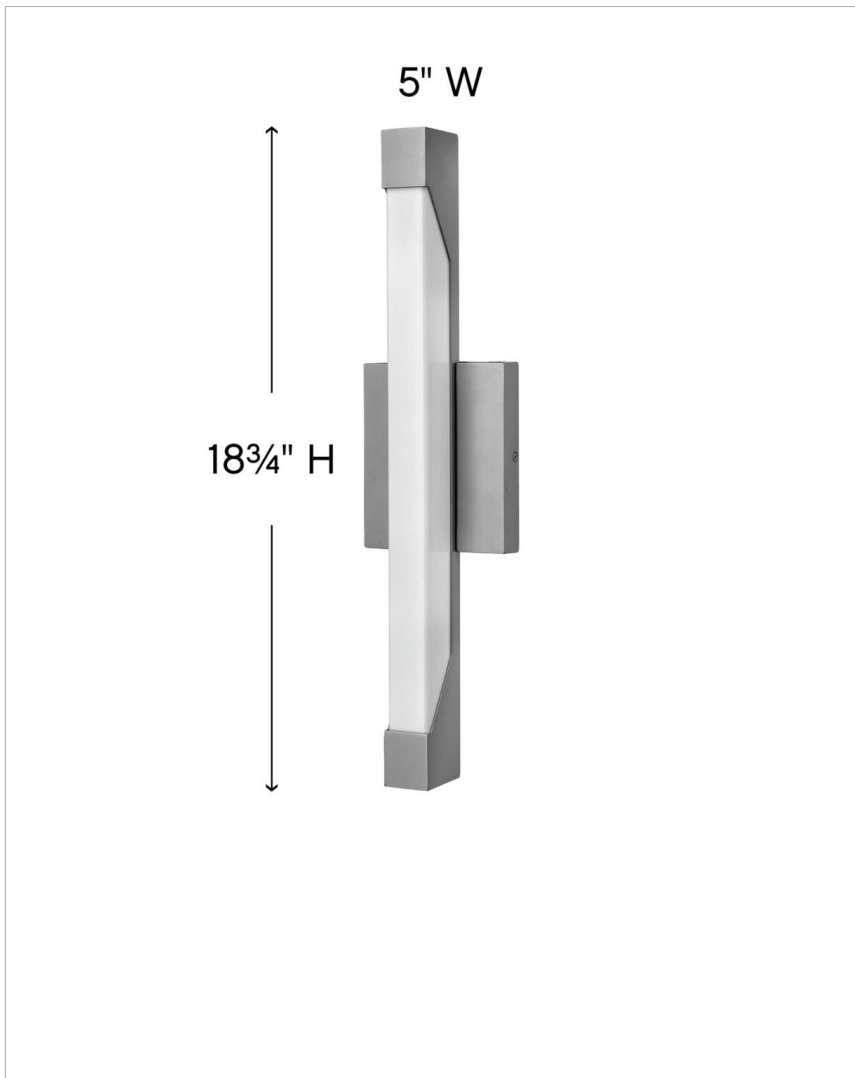
Vista creates a strong visual statement with an elongated contemporary silhouette. Constructed with extruded and die-cast aluminum, an angled cut-out creates a modern focal point with a resilient acrylic lens for maximum durability. Vista is offered as an energy-saving LED design in either Bronze or Titanium finish options. Incredibly versatile, the wet-rated Vista can be mounted vertically or horizontally, inside or outdoors.

DETAILS	
FINISH:	Titanium
MATERIAL:	Aluminum
GLASS:	Acrylic Lens
DIMMABLE:	YES - CL TYPE DIMMER (SSL7A)

DIMENSIONS	
WIDTH:	5"
HEIGHT:	18.8"
WEIGHT:	2lb
BACK PLATE:	5"W X 6"H
EXTENSION:	3"
TOP TO OUTLET:	9.5000"

LIGHT SOURCE	
LIGHT SOURCE:	Integrated LED
LED NAME:	LMP-S100-2
WATTAGE:	15w LED *Included
VOLTAGE:	120v
COLOR TEMP:	2700
LUMENS:	1200
CRI:	96
INCANDESCENT EQUIVALENCY:	2 x 60w
DIMMABLE:	YES - CL TYPE DIMMER (SSL7A)

SHIPPING	
CARTON LENGTH:	20.5
CARTON WIDTH:	7
CARTON HEIGHT:	6
CARTON WEIGHT:	3



PRODUCT DETAILS:

- Fixture can be mounted horizontally.
- LED components carry a 5-year limited warranty
- Suitable for use in wet (outdoor direct rain) locations as defined by NEC and CEC. Meets United States UL Underwriters Laboratories & CSA Canadian Standards Association Product Safety Standards
- 2-year finish warranty
- ADA compliant
- Exclusively available in High Performance LED
- Bold lines and a clean, minimalist style complement contemporary architecture
- Mounting hardware is hidden on the back plate to ensure a clean silhouette

HINKLEY

HINKLEY
33000 Pin Oak Parkway
Avon Lake, OH 44012

PHONE: (440) 653-5500
Toll Free: 1 (800) 446-5539

hinkley.com