

# TRELLIS

## 1433RB

### SMALL WALL MOUNT LANTERN WITH SCROLL

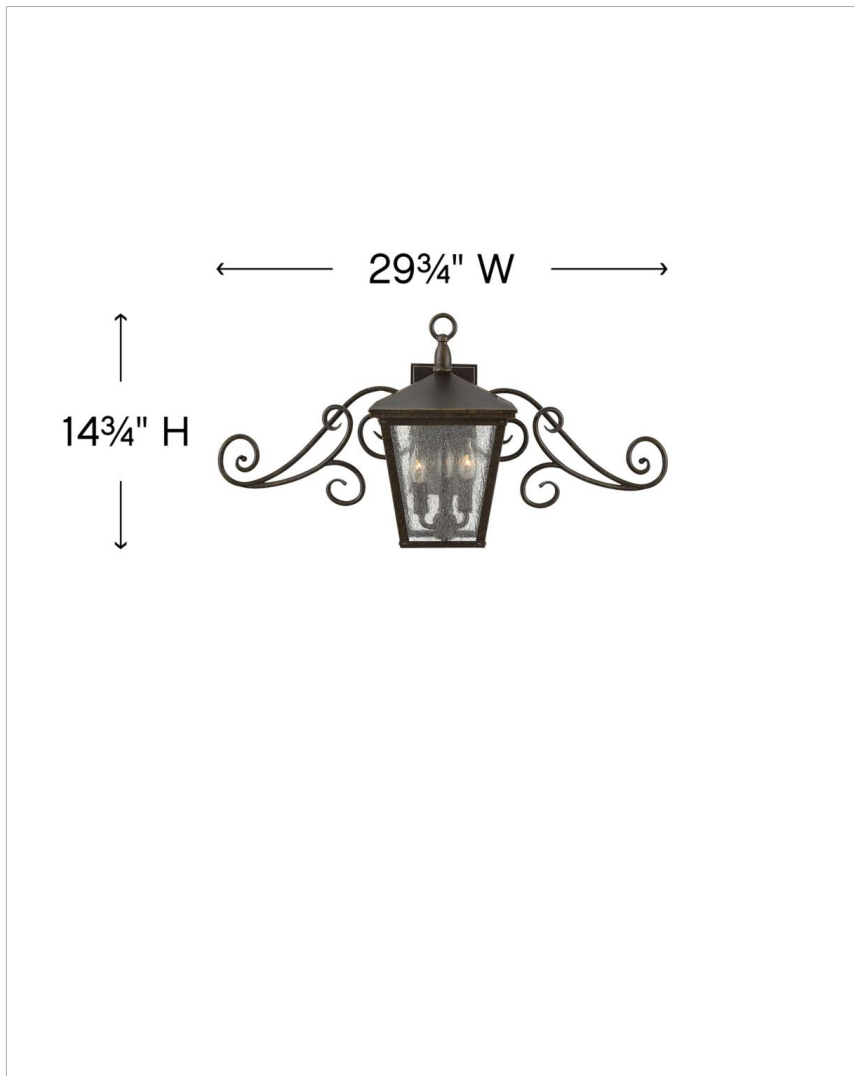
Trellis is a traditional European hanging wall lantern design in an Aged Zinc finish with clear glass or Regency Bronze with clear seeded glass. The large scroll arm detail, cast loop finial and true rivet detail create a refined elegance.

DETAILS	
FINISH:	Regency Bronze
MATERIAL:	Aluminum
GLASS:	Clear Seedy

DIMENSIONS	
WIDTH:	29.8"
HEIGHT:	14.8"
WEIGHT:	6.6 lbs.
BACK PLATE:	4.5"W X 7"H
EXTENSION:	11.5"
TOP TO OUTLET:	7.8"

LIGHT SOURCE	
LIGHT SOURCE:	Socket
WATTAGE:	3-60w Cand.
VOLTAGE:	120v

SHIPPING	
CARTON LENGTH:	13.4"
CARTON WIDTH:	19.3"
CARTON HEIGHT:	4.4"
CARTON WEIGHT:	8.8 lbs.



#### PRODUCT DETAILS:

- Suitable for use in wet (interior direct splash and outdoor direct rain or sprinkler) locations as defined by NEC and CEC. Meets United States UL Underwriters Laboratories & CSA Canadian Standards Association Product Safety Standards
- 2 year finish warranty
- Classic lines and heritage details complement traditional architecture
- Bold and robust dark bronze finish

# HINKLEY

HINKLEY  
33000 Pin Oak Parkway  
Avon Lake, OH 44012

PHONE: (440) 653-5500  
Toll Free: 1 (800) 446-5539

[hinkley.com](http://hinkley.com)